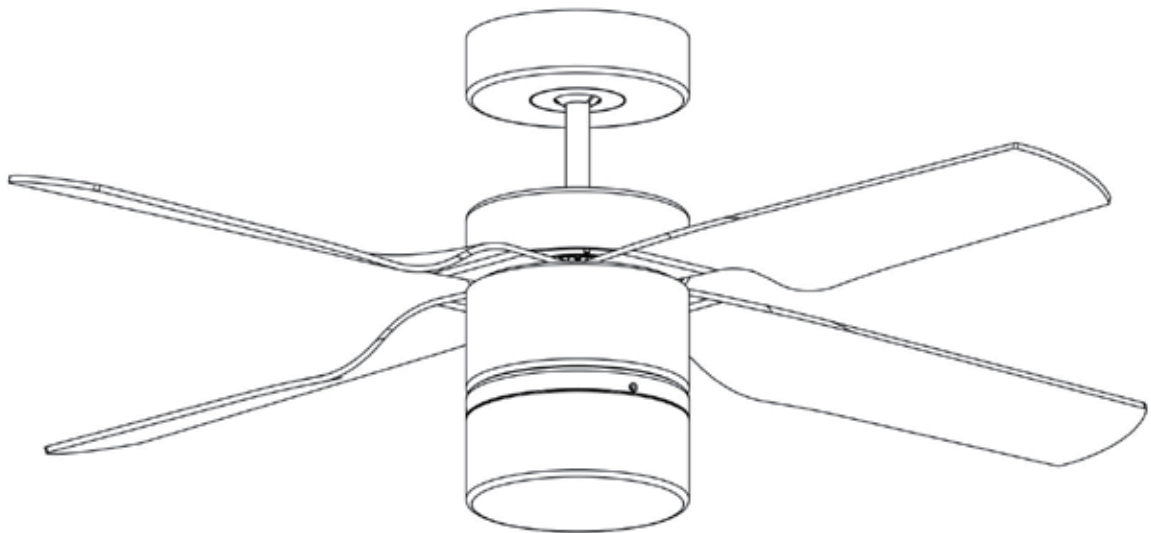


The Multimax

Ceiling Fan



Net Weight 20.5 lbs (9.3 kgs)

Model No. FP8008CH

OWNER'S MANUAL

READ AND SAVE THESE INSTRUCTIONS
Be mindful of all warnings shown throughout

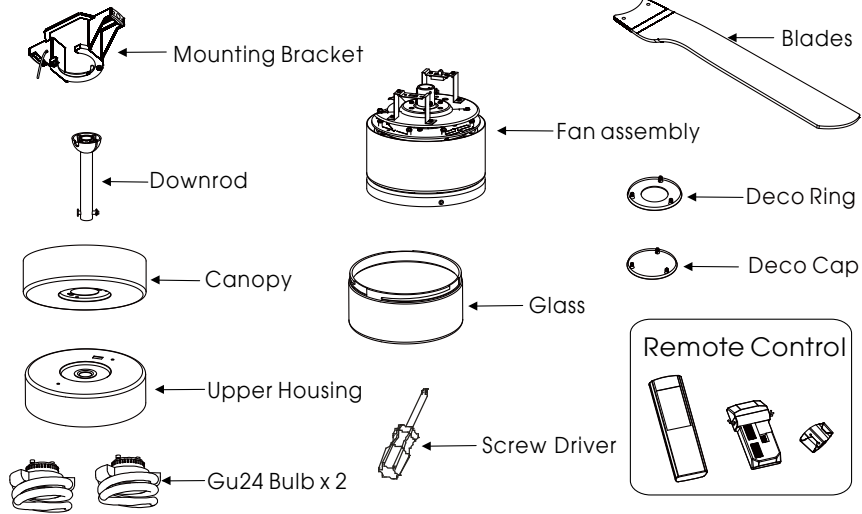


READ AND SAVE THESE INSTRUCTIONS

WARNING : TO REDUCE THE RISK OF FIRE, ELECTRICAL SHOCK, OR INJURY TO PERSONS, PLEASE OBSERVE THE FOLLOWING :

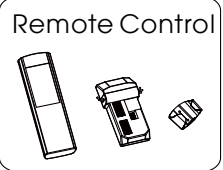
1. To ensure the success of the installation, be sure to read the instructions and review the diagrams thoroughly before beginning.
- 2]. To avoid possible electric shock, be sure electricity is turned off at the main power box before wiring. All electrical connections must be made in accordance with local codes, ordinances and/or the National Electric Code. If you are unfamiliar with the methods of installing electrical wiring and products, secure the services of a qualified and licensed electrician as well as someone who can check the strength of the supportive ceiling members and make the proper installations and connections.
- 3]. Make sure that your installation site will not allow rotating fan blades to come in contact with any object. Blades should be at least 7 feet from floor when fan is in operation.
- 4]. If possible, mount ceiling fan on a ceiling joist - the joist must be able to support the motion and weight of the moving fan. If the fan will be mounted on a ceiling outlet box, a 4" x 2-1/8" deep METAL octagon box is required ; one UL listed as " suitable for fan support ". The box and its supporting members must not be able to twist or work loose. DO NOT USE PLASTIC BOXES. Installation on a concrete ceiling should be performed by qualified personnel.
- 5]. Fan motor housing should be kept in carton until ready to be installed to protect its finish. If you are installing more than one ceiling fan, make sure that you do not mix fan blade sets.
- 6]. After making electrical connections, spliced conductors should be turned upward and pushed carefully up into outlet box. The wires should be spread apart with the grounded conductor and the equipment - grounding conductor on one side of the outlet box and the " HOT " wires on the other side.
- 7]. Electrical diagrams are for reference only. Light kits that are not packed with the fan must be UL listed and should be installed per the light kit's installation instructions.
- 8]. After fan is completely installed, check to make sure that all connections are secure to prevent fan from falling and/or causing damage or injury.
- 9]. The fan must be turned off and stopped before reversing fan direction.
- 10]. This fan is suitable for standard indoor use.

1. Unpack and inspect fan carefully to be certain all contents are included.



Hardware bag

Blade Screw w/Washer	9pcs	
Nylon Washer	9pcs	
Mounting Screw	2pcs	
Spring Washer	2pcs	
Lock Washer	2pcs	
Wood Screw	2pcs	
Star Washer	2pcs	
Blade Balance Kit	1pc	
Wire Nuts	4pcs	
Upper Housing Screw	2pcs	
Safety Cable Bag	1pc	



2.
Turn off power at breaker box to avoid possible electrical shock.

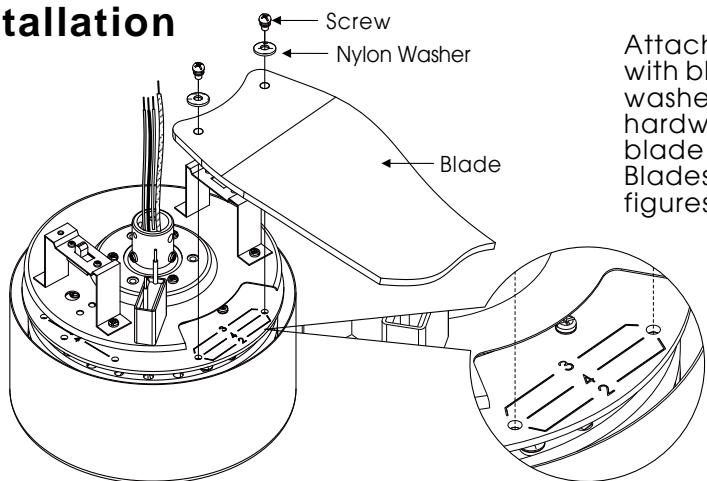
3.
Use metal outlet box suitable for fan support. Secure outlet box directly to the building structure using wood screws (included). Outlet box must support 50 lbs min.

4.
To attach ceiling support cable, drill a 1/4 in. pilot hole, located independently from the junction box, into the ceiling joist or structural member. Securely attach the ceiling support cable with 3/8 in. x 2 in. lag bolt and flat washer. MUST be able to fully support at least 100 lbs.

5.
Install mounting bracket to Outlet box in ceiling using washers and the mounting screws provided with the outlet box.

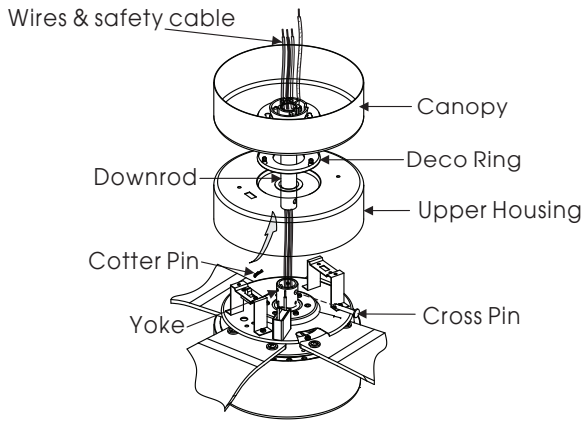
Do not use existing mounting bracket, replace it with new mounting bracket from box.

6. Blade installation

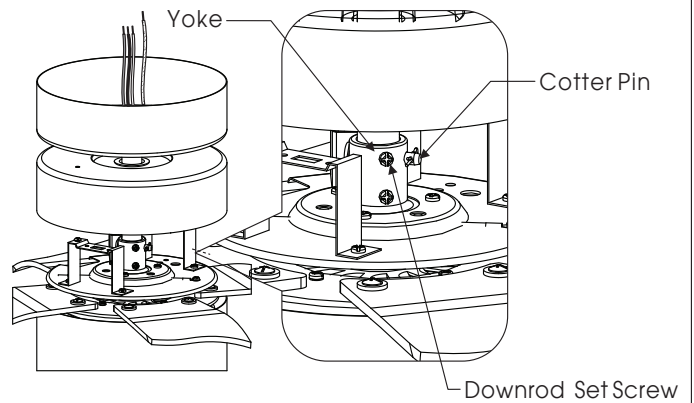


Attach blades to fly wheel with blade screws and nylon washers provided in the hardware bag. Make sure blade numbers (2, 3 or 4 Blades) correspond with figures shown on flywheel.

7. Upper Housing & Downrod Assembly

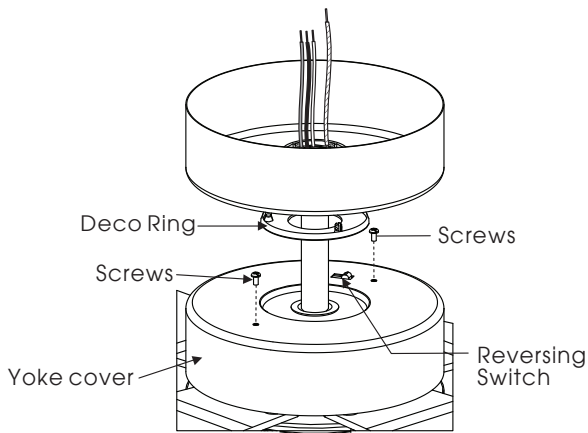


(1) Feed motor lead wires and safety cable through Upper Housing, Deco Ring, Canopy and downrod and insert downrod into yoke.



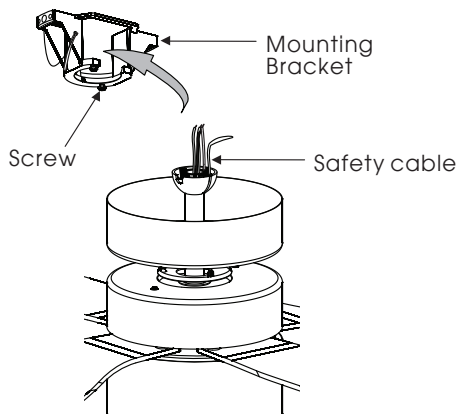
(2) Insert the cross pin through Yoke & Downrod and secure with Cotter Pin.

(3) Tighten both Downrod Set Screws to further secure Downrod, then pull down the Upper Housing to cover wiring Pan.

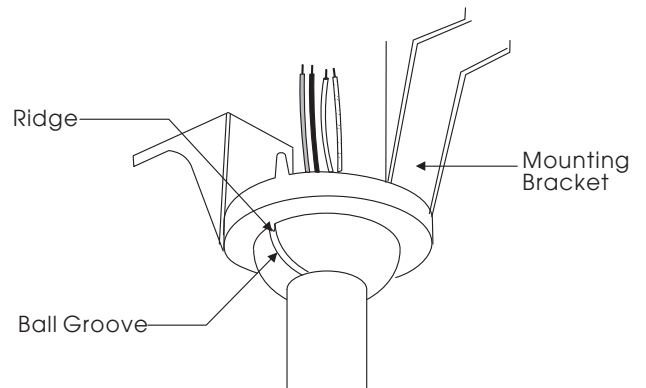


(4) Attach Upper Housing to brackets on Wiring Pan. Align rectangular hole with reversing switch, and secure with 2 screws provided from hardware bag.

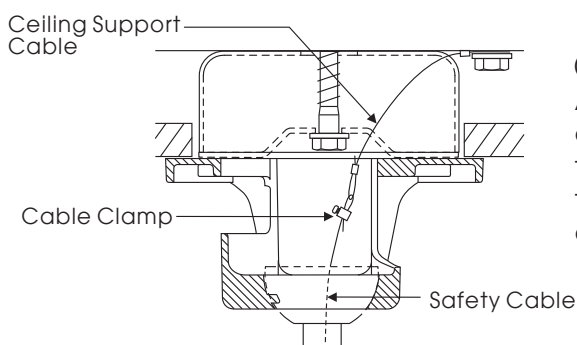
8. Hanging the fan



(1) Lift fan assembly onto mounting bracket.



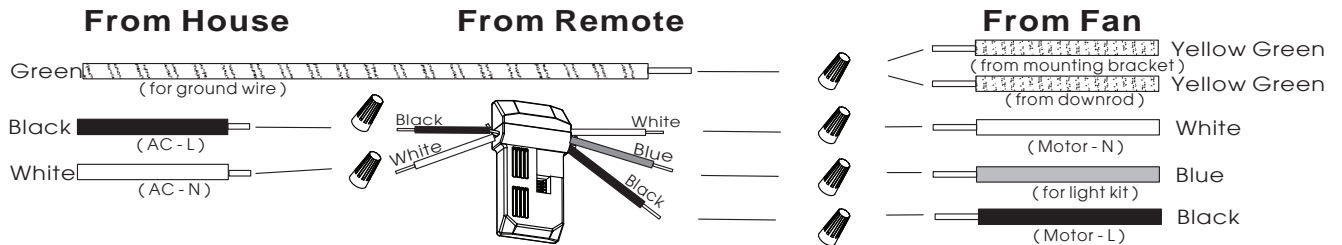
(2) Rotate fan so that the groove on the ball engages the ridge in the mounting bracket.



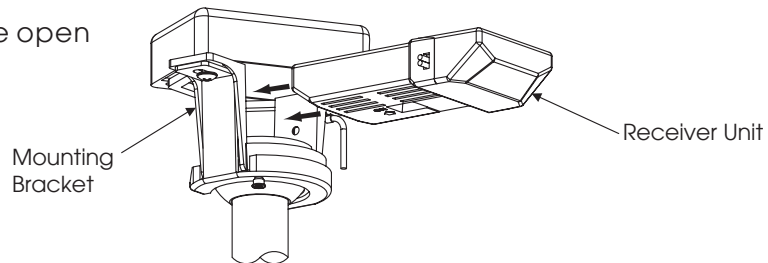
(3) Attach the safety cable to ceiling support cable. Slide cable clamp onto safety cable (from fan). Place the end of cable through the loop of ceiling support cable. Pull as much cable through loop as possible. Feed end of cable into clamp hole and firmly tighten screw. Cut off excess safety cable.

9. Make wire connection-(for 100~127VAC/60Hz) -for Remote Receiver

- 9-1. Connect black wire from house to black wire from Receiver and secure with wire nut.
- 9-2. Connect white wire from house to white wire from Receiver and secure with wire nut.
- 9-3. Connect green wire from house and green wires from fan and secure with wire nut.
- 9-4. Connect white wire from Receiver to white wire from fan and secure with wire nut.
- 9-5. Connect blue wire from Receiver and blue wire from fan and secure with wire nut.
- 9-6. Connect black wire from Receiver and black wire from fan and secure with wire nut.

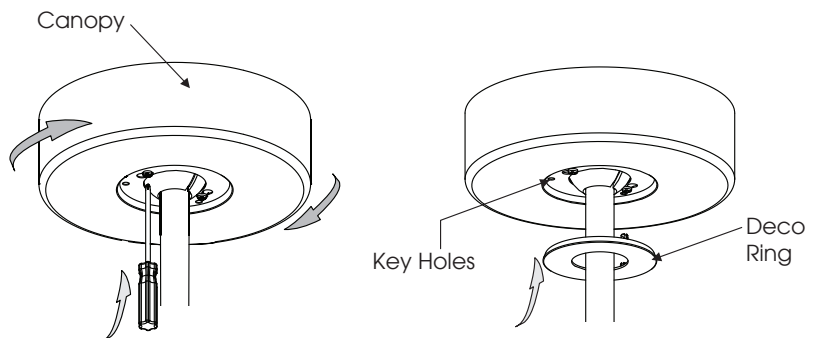


- 9-7. Slide the receiver unit into the open end of the mounting bracket

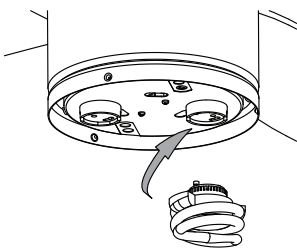


10. Install the canopy

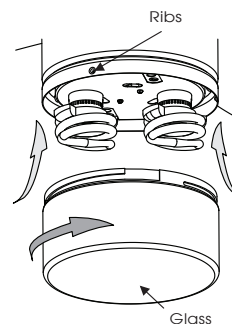
1. Push up the Canopy until the two screws on mounting bracket are engaged with Key Holes in canopy.
2. Rotate the canopy slightly until the two screw heads are in the small end of the Key Holes.
3. Tighten both screws.
4. Push Deco Ring up to Canopy, align holes on Canopy with ribs on Deco Ring, and push "snap-in".



11. Attach the Light Kit: (Note: Be sure power is off before proceeding)

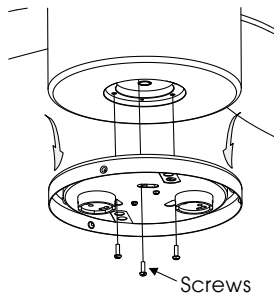


- 11-1:
Attach lamp to lamp-holder.

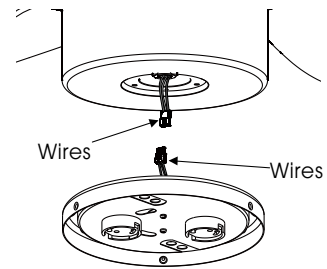


- 11-2:
Attach glass shade onto fan by turning clockwise. Don't over tightened.

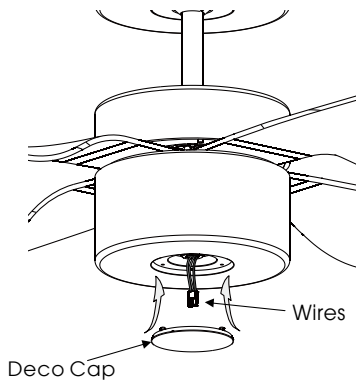
12. Fan Installation without light kit:



12-1:
Detach light kit from fan housing by loosening 3 screws.

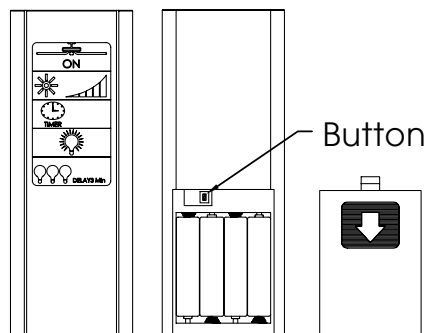


12-2:
Detach terminal connectors from light kit and fan.



12-3
Just attach Deco Cap to bottom of fan by "Snap - in".

13. Establish connection between your hand-held remote and your fan



13-1. Restore power to your ceiling fan at the breaker box and/or wall switch.

13-2. Within 60 seconds of restoring power to your fan, press and hold the small button on the back of your hand-held remote control using a pen or other pointed object until the fan motor turns on and the fan blades begin moving.

13-3. Your fan receiver and remote are now synced and your fan is ready for normal operation.

Parts List Model No. FP8008CH

Reference #	Description	Part #
1	Hanger Bracket Assembly w/Screws	APGFF110BL
2	Ball-Downrod Assembly	ADRFF-6CH
3	Canopy - Ceiling	P800801CH
4	Canopy Screw Cover	P800802CH
5	Housing Upper Asm	AP800803CH
6	Blade Set (4)	AP800806**
7	Fan Motor Assembly	AMA8008CH
8	Decorative Lower Housing Cover	P800809CH
9	Light Kit Assembly	AP800810CH
10	Light Bulb - Gu24 CFL 18W Low Profile	PPGU24C18
11	Glass	P8008130P
12	Transmitter - Touch Screen	TRL8TS
13	Receiver	RECAN54
14	Bag Assembly, Loose Parts	HDWFP8008CH
15	Screw Driver	PSCDR15

**Insert FINISH CODES (Refer to fan model number located on downrod support)

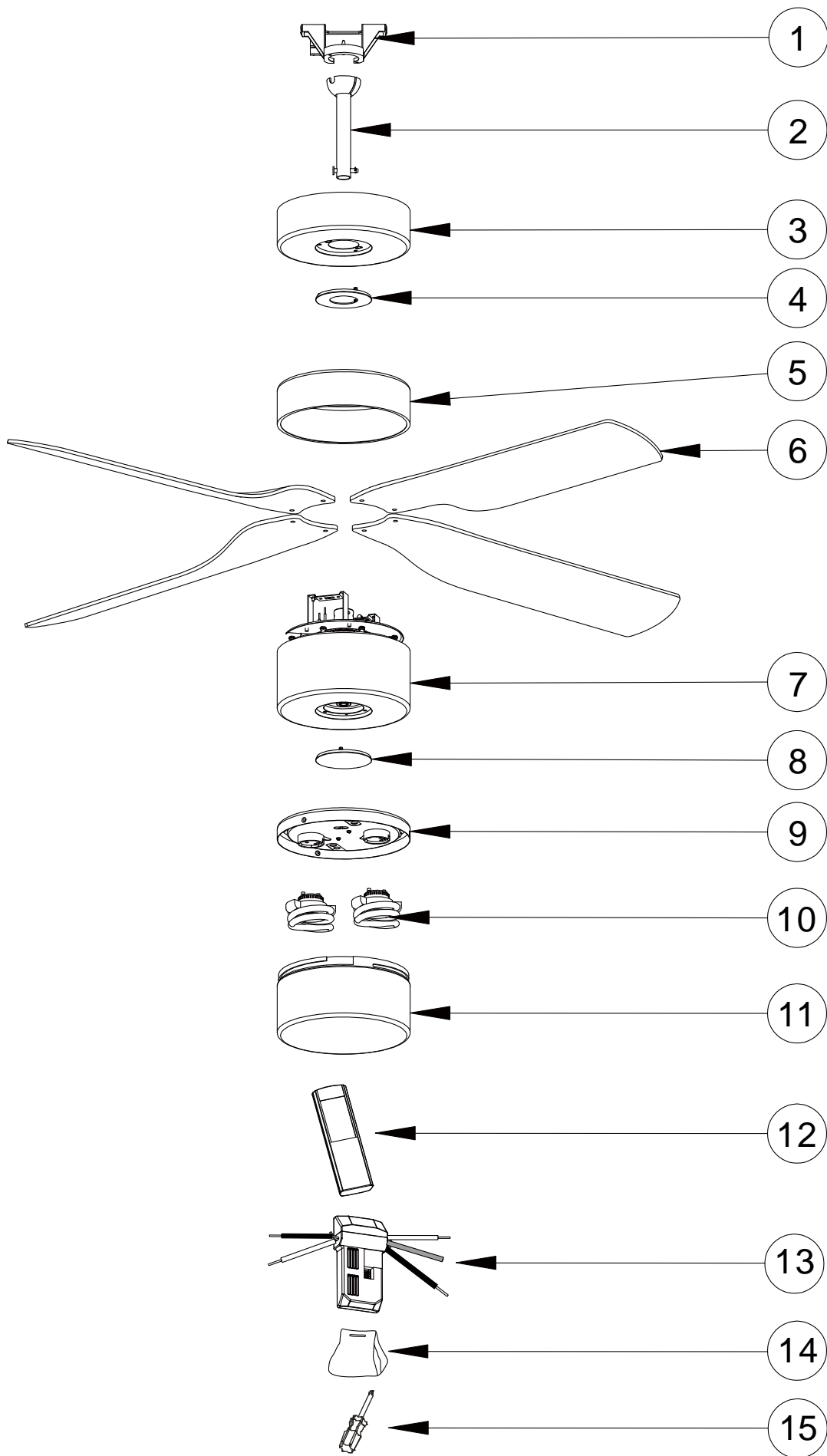
Before discarding packaging material, be certain all parts have been removed.

HOW TO ORDER REPAIR PARTS

When ordering repair parts, always give the following information:

- Part Number
- Part Description
- Fan Model Number

Contact your retail store for repair parts.



NOTE: The illustration shown is not to scale or its actual configurations may vary.



10983 Bennett Parkway
Zionsville, IN 46077
Toll Free (888) 567-2055
FAX (866) 482-5215

Outside U.S. call (317) 733-4113

Visit Our Website @ www.fanimation.com