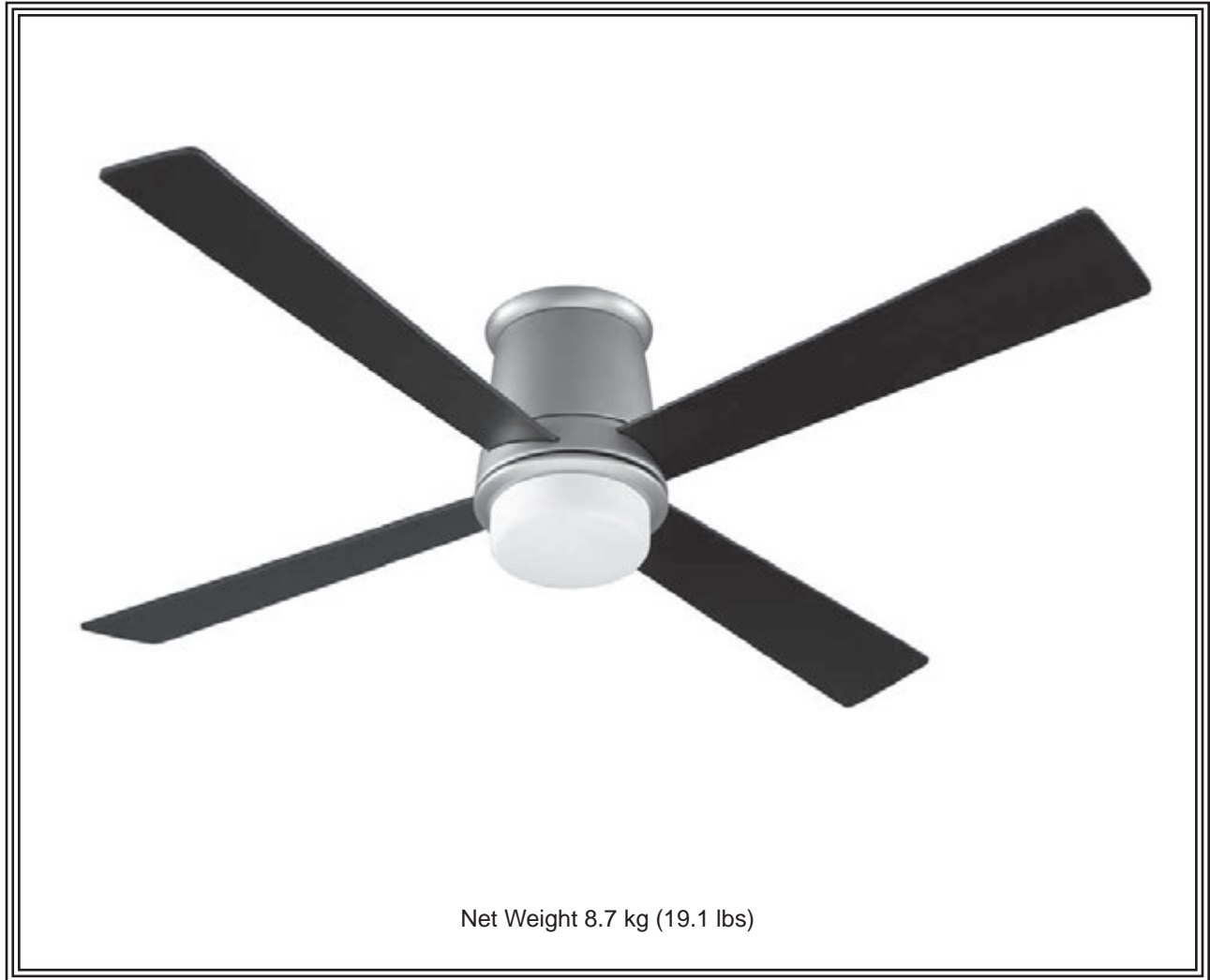


The Inlet™

Snugger Ceiling Fan



Model No. FPS7880**

OWNER'S MANUAL
READ AND SAVE THESE INSTRUCTIONS



Important Safety Instructions

WARNING: To avoid fire, shock and serious personal injury, follow these instructions.

1. Read your owner's manual and safety information before installing your new fan. Review the accompanying assembly diagrams.
2. Before servicing or cleaning unit, switch power off at service panel and lock service panel disconnecting means to prevent power from being switched on accidentally. When the service disconnecting means cannot be locked, securely fasten a warning device, such as a tag, to the service panel.
3. Be careful of the fan and blades when cleaning, painting, or working near the fan. Always turn off the power to the ceiling fan before servicing.
4. Do not insert anything into the fan blades while the fan is operating.
5. Do not operate reversing switch until fan blades have come to a complete stop.

Additional Safety Instructions

1. To avoid possible shock, be sure electricity is turned off at the fuse box before wiring, and do not operate fan without blades.
2. All wiring and installation procedures must satisfy National Electrical Codes (ANSI/ NFPA 70-1999) and Local Codes. The ceiling fan must be grounded as a precaution against possible electrical shock. Electrical installation should be made or approved by a licensed electrician.
3. The fan base must be securely mounted and capable of reliably supporting at least 35 lbs. See page 4 of owner's manual for support requirements. Consult a qualified electrician if in doubt.
4. The fan must be mounted with the fan blades at least 7 feet from the floor to prevent accidental contact with the fan blades.
5. Follow the recommended instructions for the proper method of wiring your ceiling fan. If you do not have adequate electrical knowledge or experience, have your fan installed by licensed electrician.
6. Suitable for use with solid-state speed controls.

WARNING: TO REDUCE THE RISK OF SHOCK, THIS FAN MUST BE INSTALLED WITH A GENERAL USE ISOLATING WALL CONTROL/SWITCH.

WARNING: This product is designed to use only those parts supplied with this product and/or accessories designated specifically for use with this product. Using parts and/or accessories not designated for use with this product could result in personal injury or property damage.

WARNING: To reduce the risk of personal injury, do not bend the blade bracket (flange or blade holder) when installing the brackets, balancing the blades, or cleaning the fan. Do not insert foreign objects in between rotating fan blades.

LIMITED LIFETIME WARRANTY

Extends to the original purchaser of a Fanimation Fan

1. LIMITED LIFETIME MOTOR WARRANTY - If any part of your fan motor fails, due to a defect in materials or workmanship during the lifetime of the original purchaser, Fanimation will provide the replacement part free of charge, when the defective fan is returned to our national service center. Proof of purchase is required. Customer shall be responsible for all costs incurred in the removal or reinstallation and shipping of the product for repairs or replacement.
2. ONE YEAR MOTOR LABOR WARRANTY - If your fan motor fails at any time within one year from the original purchase, due to defects in materials or workmanship, labor to repair the motor will be provided free of charge at our national service center. Purchaser will be responsible for labor charges after this one-year period. Customer shall be responsible for all costs incurred in the removal or reinstallation and shipping of the product for repairs or replacement.
3. If any other part of your fan fails at any time within one year after original purchase, due to a defect in materials or workmanship, we will repair, or replace, at our option, the defective part free of charge for parts and labor performed at our national service center.
4. Because of varying climate conditions, this warranty does not cover changes in the finish, including rusting, pitting, corroding, tarnishing, or peeling.
5. This warranty is void and does not apply to damage from improper installation, neglect, accident, misuse, exposure to extremes of heat or humidity, or as a result of any modification to the original product.
6. All costs of removal and reinstallation of the fan are the sole responsibility of the owner of the fan and not the store that sold the fan or Fanimation.
7. Fanimation reserves the right to modify or discontinue any product at any time and may substitute any part under this warranty.
8. Under no circumstances may a fan be returned without prior authorization from Fanimation. The receipt of purchase must accompany authorized returns and must be sent freight prepaid to Fanimation. The fan to be returned must be properly packed to avoid damage in transit; Fanimation will not be responsible for any damage resulting from improper packaging.
9. It is understood that any repair or replacement is the exclusive remedy available from Fanimation. There is no other expressed or implied warranty. Fanimation hereby disclaims any and all implied warranties, including, but not limited to those of merchantability and fitness for a particular purpose to the extent permitted by law. Some states do not allow limitations on implied warranties. Fanimation will not be liable for incidental, consequential, or special damages arising out of or in conjunction with product use or performance, except as may otherwise be accorded by law. This warranty gives you special legal rights and you may also have other rights that vary from state to state.
10. A certain amount of wobble is normal and should not be considered a problem or a defect.

Table of Contents

Unpacking Instructions.....	3
Energy Efficient Use of Ceiling Fans.....	4
Electrical and Structural Requirements.....	4
How to Hang Your Ceiling Fan.....	5
How to Wire Your Ceiling Fan.....	6
How to Assemble Your Ceiling Fan.....	7
Assembling and Mounting the Fan Blades.....	8
Installing the Downlight Housing Assembly.....	9
Operating Instructions - TR20WH Remote Control.....	10
Maintenance.....	10
Blade Cleaning.....	10
Trouble Shooting.....	11
Parts List.....	12
Exploded-View Illustration.....	13

This Manual is Designed to Make it as Easy as Possible for You to Assemble, Install, Operate, and Maintain Your Ceiling Fan

Tools Needed for Assembly

- One Phillips head screwdriver
- One wire stripper
- One stepladder
- Three wire connectors (supplied)
- One ¼" blade screwdriver

Materials

Wiring outlet box and box connectors must be of type required by local code. The minimum wire would be a 3-conductor (2-wire with ground) of the following size:

Installed Wire Length	Wire Size A.W.G.
Up to 50 ft.	14
50 - 100 ft.	12

NOTE: Place the parts from the loose parts bags in a small container to keep them from being lost. If any parts are missing, contact your local retailer.

⚠ WARNING

Before assembling your ceiling fan, refer to section on proper method of wiring your fan (page 4). If you feel you do not have enough wiring knowledge or experience, have your fan installed by a licensed electrician.

Unpacking Instructions

For your convenience, check-off each step. As each step is completed, place a check mark. This will ensure that all steps have been completed and will be helpful in finding your place should you be interrupted.

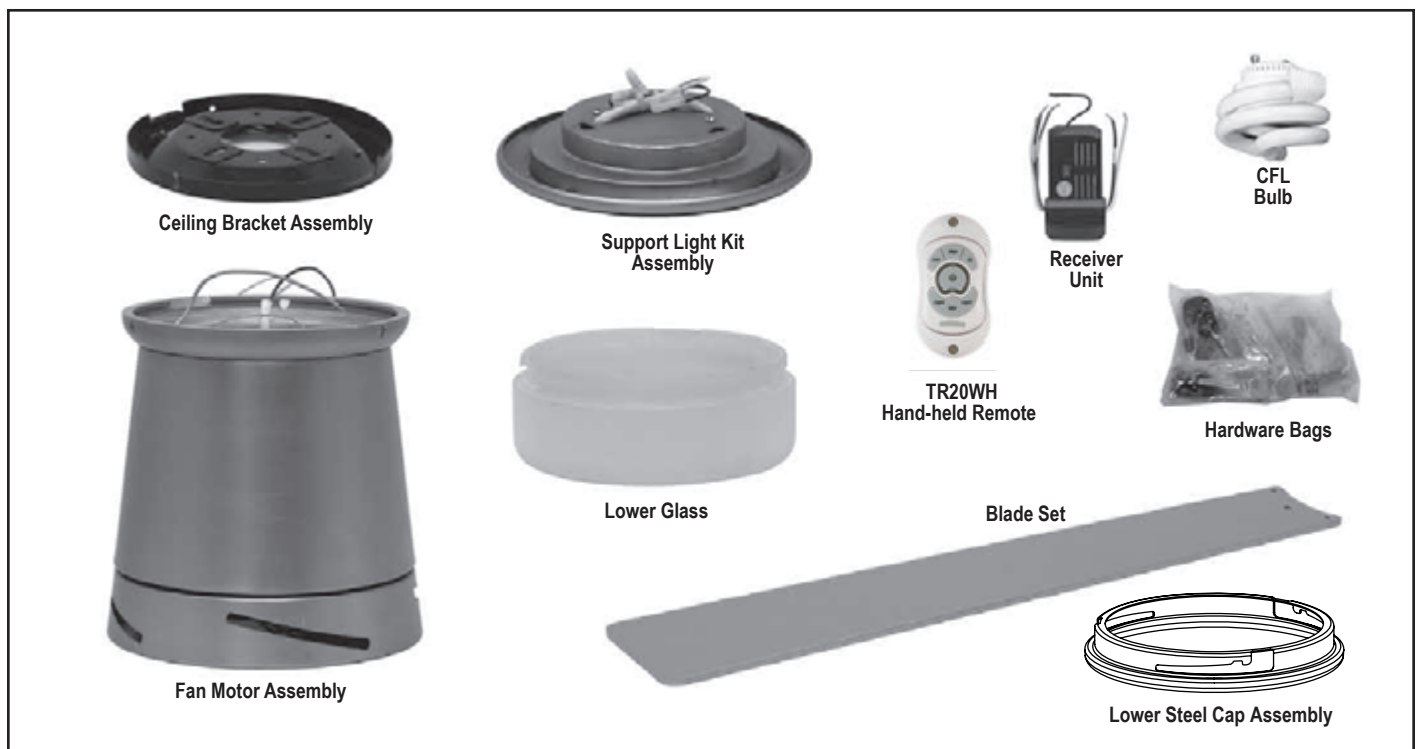
⚠ WARNING

Do not install or use fan if any part is damaged or missing. This product is designed to use only those parts supplied with this product and/or any accessories designated specifically for use with this product by Fanimation. Substitution of parts or accessories not designated for use with this product by Fanimation could result in personal injury or property damage. Contact your retail store for missing or damaged parts.

- Fan Motor Assembly
- Ceiling Bracket Assembly
- Support Light Kit Assembly
- 18W CFL Bulb
- Lower Glass
- Blade Set
- TR20WH Hand-held Remote
- Receiver Unit
- Lower Steel Cap Assembly
- Hardware bags:
 - 3/16-24 x 11mm screws with pan head (13)
 - Steel washer
 - Wire nuts (4)
 - Phillips screwdriver, 4"
 - 3/16-24 x 13mm screws with flat head (4)

1. Check to see that you have received the following parts:

NOTE: If you are uncertain of part description, refer to exploded view illustration. (Figure 1, page 13)



Energy Efficient Use of Ceiling Fans

Ceiling fan performance and energy savings rely heavily on the proper installation and use of the ceiling fan. Here are a few tips to ensure efficient product performance.

Choosing the Appropriate Mounting Location

Ceiling fans should be installed, or mounted, in the middle of the room and at least 7 feet above the floor and 18 inches from the walls. If ceiling height allows, install the fan 8 - 9 feet above the floor for optimal airflow. Consult your Fanimation Retailer for optional mounting accessories.

Turn Off When Not in the Room

Ceiling fans cool people, not rooms. If the room is unoccupied, turn off the ceiling fan to save energy.

Using the Ceiling Fan Year Round

Summer Season: Use the ceiling fan in the counter-clockwise direction. The airflow produced by the ceiling fan creates a wind-chill effect, making you "feel" cooler. Select a fan speed that provides a comfortable breeze, lower speeds consume less energy.

Winter Season: Reverse the motor and operate the ceiling fan at low speed in the clockwise direction. This produces a gentle updraft, which forces warm air near the ceiling down into the occupied space. Remember to adjust your thermostat when using your ceiling fan - additional energy and dollar savings could be realized with this simple step!

Electrical and Structural Requirements

Your new ceiling fan will require a grounded electrical supply line of 120 volts AC, 60 Hz, 15 amp circuit. The outlet box must be securely anchored and capable of withstanding a load of at least 50 lbs. **Figure 1** depicts different structural configurations that may be used for mounting the outlet box.

⚠ WARNING

To reduce the risk of fire, electrical shock, or personal injury, mount fan to outlet box marked acceptable for fan support. Use screws supplied with outlet box. Most outlet boxes commonly used for support of light fixtures are not acceptable for fan support and may need to be replaced. Consult a qualified electrician if in doubt.

If your fan is to replace an existing light fixture, turn electricity off at the main fuse box at this time and remove the existing light fixture.

⚠ WARNING

Turning off wall switch is not sufficient. To avoid possible electrical shock, be sure electricity is turned off at the main fuse box before wiring. All wiring must be in accordance with National and Local codes and the ceiling fan must be properly grounded as a precaution against possible electrical shock.

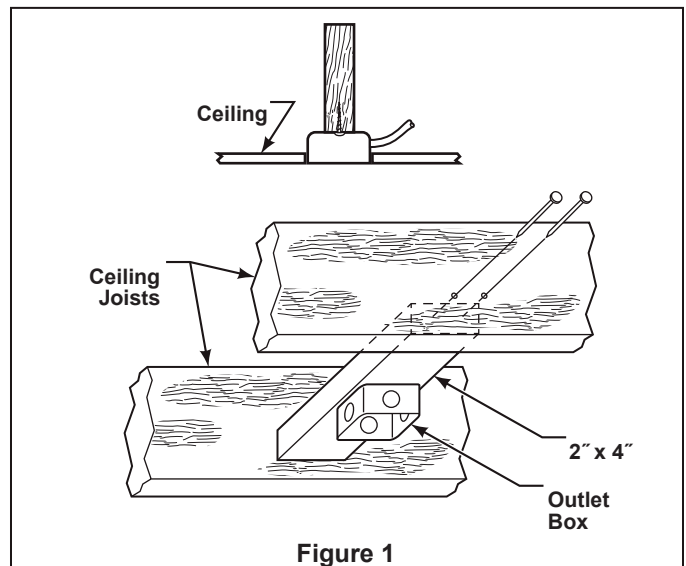


Figure 1

⚠ WARNING

To avoid fire or shock, follow all wiring instructions carefully. Any electrical work not described in these instructions should be done or approved by a licensed electrician.

How to Hang Your Ceiling Fan

⚠ WARNING

The fan must be hung with at least 7' of clearance from floor to blades (Figure 1)

⚠ WARNING

To avoid possible electrical shock, be sure electricity is turned off at the main fuse box before hanging.
NOTE: If you are not sure if the outlet box is grounded, contact a licensed electrician for advice, as it must be grounded for safe operation.

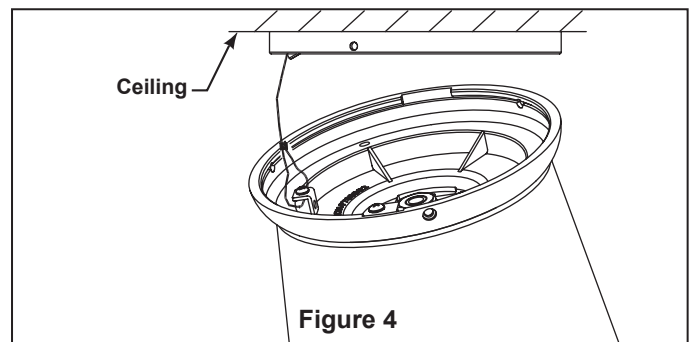
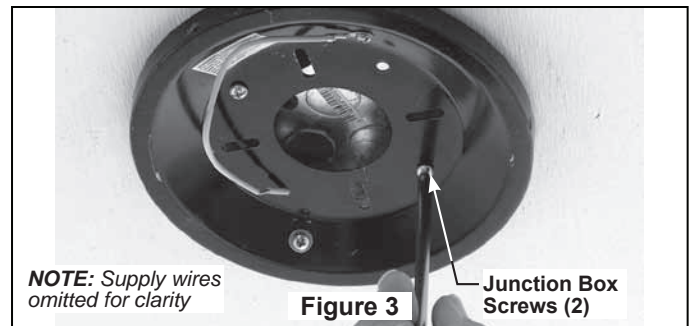
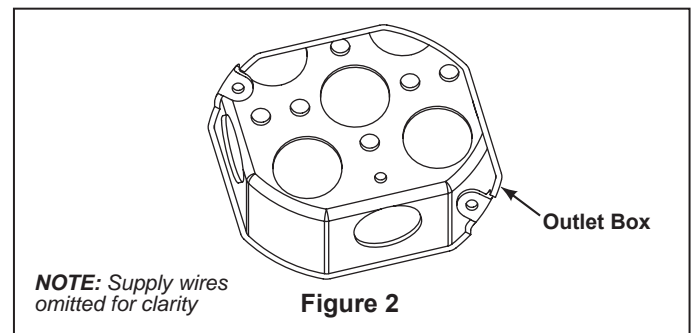
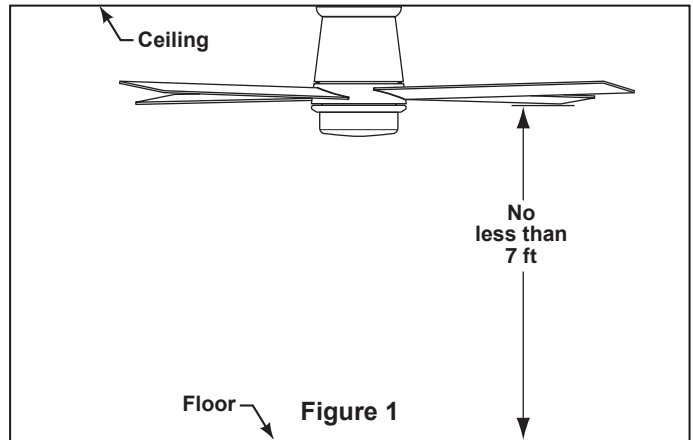
⚠ WARNING

It is critical that the outlet box and the screws are securely anchored to the building structure and capable of withstanding a load of at least 50 lbs. Failure to verify that the screws are properly installed could result in the fan falling. (Figure 2)

1. Securely attach the ceiling junction box **acceptable for ceiling support** into the building structure. (Figure 2)

2. Securely attach the ceiling bracket to the ceiling junction box as shown. (Figure 3)

3. Hang the Motor Assembly as shown. (Figure 4) You can now proceed with the electrical wiring of your fan.



How to Wire Your Ceiling Fan

If you feel that you do not have enough electrical wiring knowledge or experience, have your fan installed by a licensed electrician.

NOTE: If fan or supply wires are different colors than indicated, have this unit installed by a qualified electrician.

⚠ WARNING

To avoid possible electrical shock, be sure electricity is turned off at the main fuse box before wiring.
NOTE: If you are not sure if the outlet box is grounded, contact a licensed electrician for advice, as it must be grounded for safe operation.

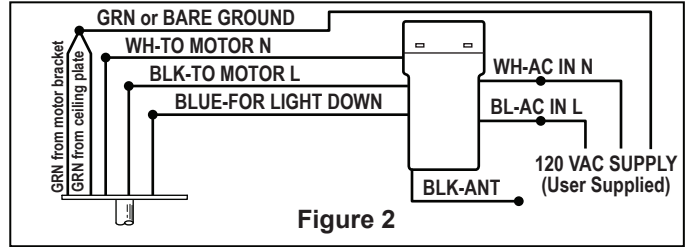


Figure 2

1. Setting the Code: The remote unit has 16 different code combinations. To prevent possible interference from or to other remote units such as garage door openers, car alarm or security systems, simply change the combination code in your transmitter and receiver. To set the code, perform these steps.

• **Transmitter:** remove battery cover. Press firmly below arrow and slide battery cover off. Slide code switches to your choice of up or down position. Factory setting is all up. Do not use this position. With a small screwdriver or ball point pen slide firmly up or down (Figure 1a). Replace battery cover on the transmitter.

• **Receiver:** Slide code switches to the same positions as set on your transmitter (Figure 1b).

2. Connecting Receiver Wires:

- Connect wires as indicated: (Figure 2)
 - Green Ceiling Plate and Motor Bracket wires to BARE (ground) wire.
 - BLACK Receiver Unit wire (AC IN L) to BLACK supply wire.
 - WHITE Receiver Unit wire (AC IN N). to WHITE supply wire.
 - WHITE Receiver Unit wire (TO MOTOR N) to WHITE fan wire.
 - BLACK Receiver Unit wire (TO MOTOR L) to BLACK fan wire.
 - BLUE Receiver Unit wire (FOR UP/DOWN LIGHT) to BLUE light wire.
- Position all connected wires and receiver antenna to allow installation of motor assembly.

3. After making the wire connections, the wires should be spread apart with the grounded conductor and the equipment-grounding conductor on one side of the ceiling plate and the ungrounded conductor on the other side of the ceiling plate. The splices after being made should be turned upward and carefully pushed up into the outlet box.

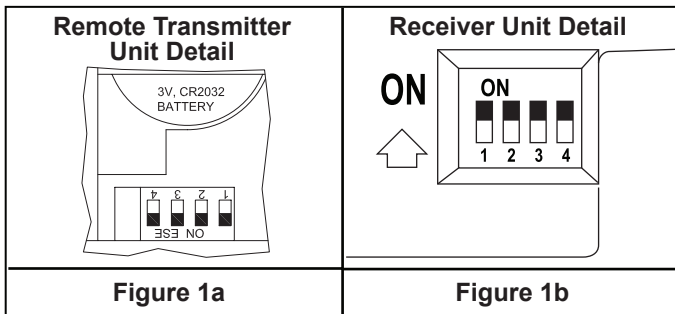


Figure 1a

Figure 1b

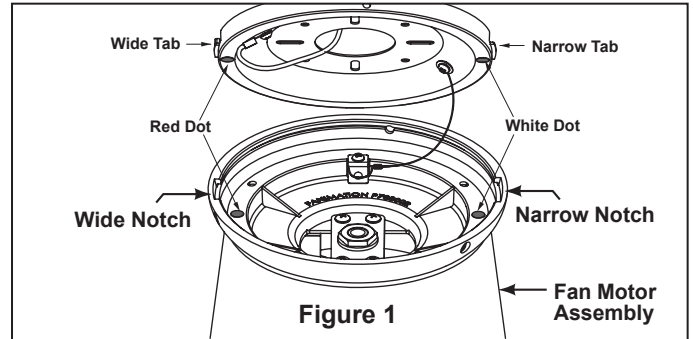
⚠ WARNING

Check to see that all connections are tight, including ground, and that no bare wire is visible at the wire connectors, except for the ground wire. Do not operate fan until the blades is in place. Noise and fan damage could result.

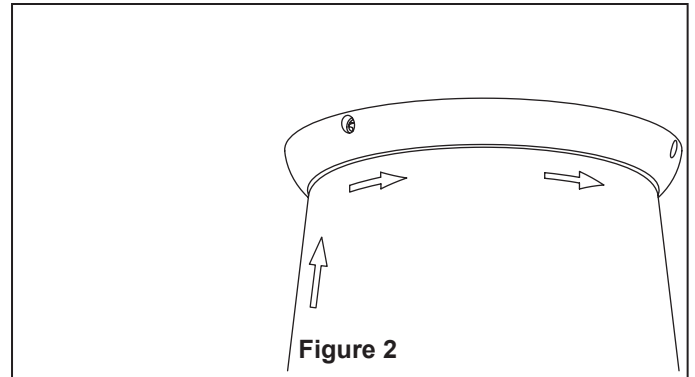
How to Assemble Your Ceiling Fan

NOTE: This step is applicable **after** the necessary wiring is completed. (see page 6)

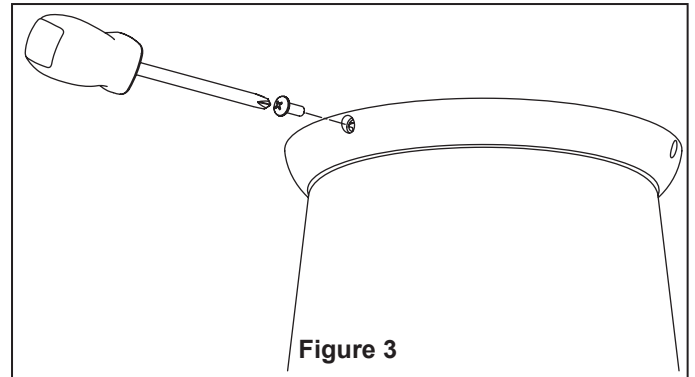
1. Align the wide notch (with red dot) of fan motor assembly to the wide tab (with red dot) of ceiling plate and narrow notch (with white dot) of fan motor assembly to the narrow tab (with white dot) of ceiling plate. (Figure 1)



2. Carefully secure the housing assembly onto the mounting slots on ceiling bracket with the upward-clockwise, quarter-turn twist (Figure 2).

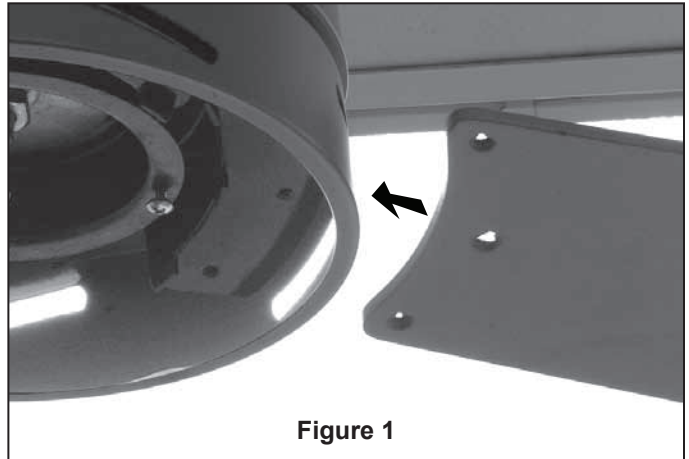


3. Secure the housing assembly onto the ceiling bracket with three screws supplied, don't over-tighten (Figure 3).



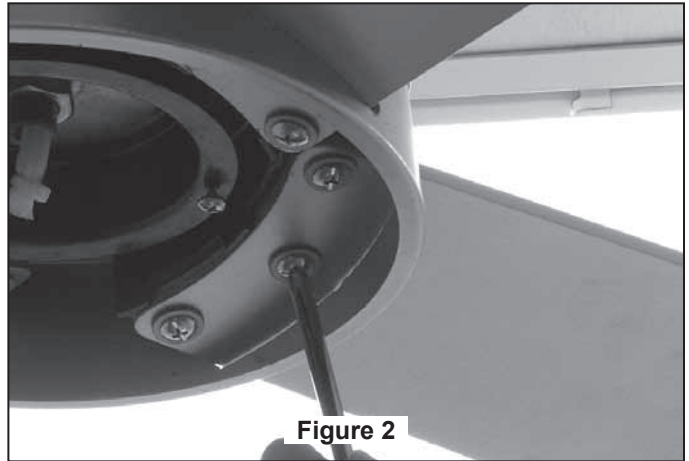
Assembling and Mounting the Fan Blades

1. Carefully slide the blade through the slot as shown. (Figure 1)



2. Securely fasten blades with pan-head screws. Do not over-tighten. (Figure 2)

3. Make sure the screws securing the blades to the motor hub are tight and that the blades are properly seated.

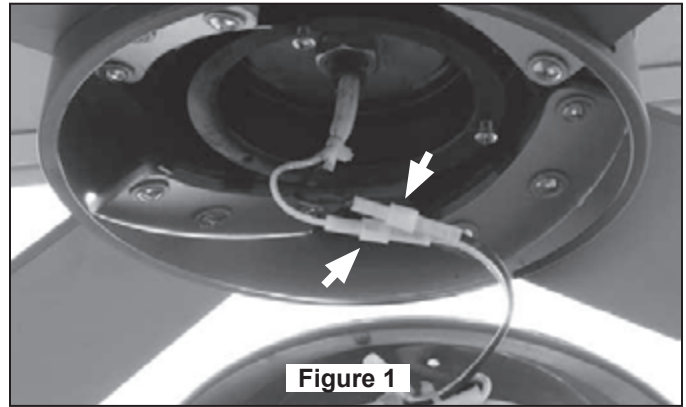


Installing the Downlight Housing Assembly

CAUTION

To avoid possible electrical shock, be sure electricity is turned off before installing downlight assembly.

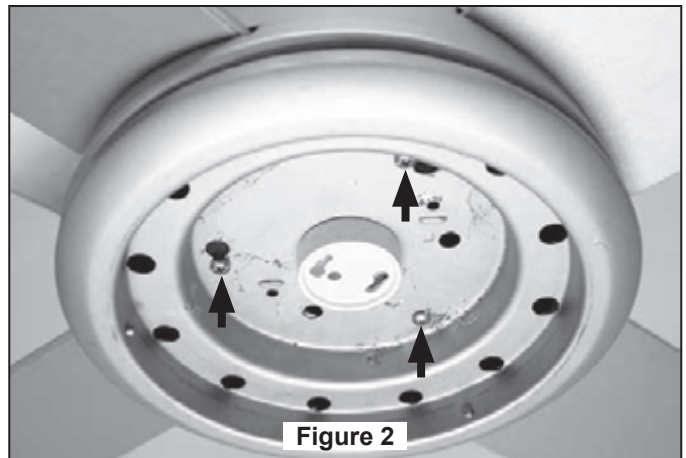
1. Securely attach plugs from motor to sockets on Support Light Kit Assembly (Figure 1)



2. Securely attach Support Light Kit Assembly to the Adapter Plate by tightening three screws provided with the fan. (Figure 2)

INSTALLATION NOTE

Be sure to line up the curved slotted holes located on the Downlight Socket Plate. (Figures 2)



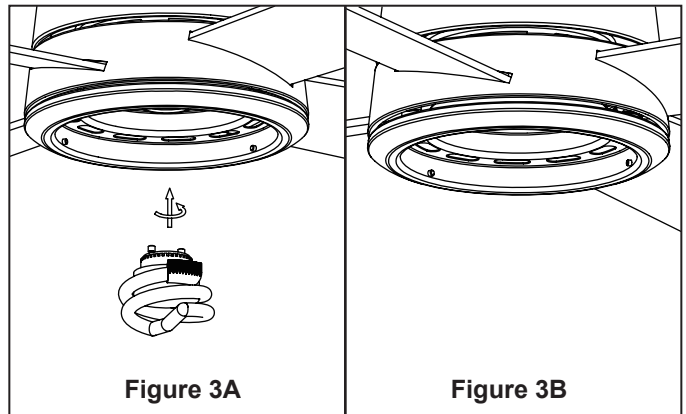
3. Install single CFL Bulb (included - 18 watts max, GU24 base) in the socket on the Support Light Kit Assembly. (Figure 3A)

3A. Don't install the light bulbs if you want to install the lower steel cap in Step 4A (Figure 3B).

IMPORTANT

18 watt bulb is the maximum wattage allowed to safely operate the fan.

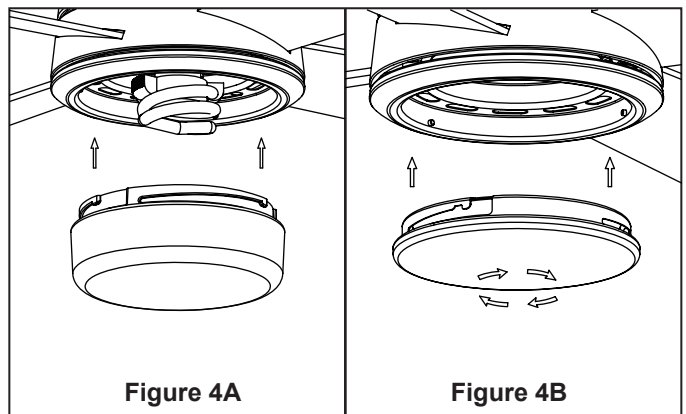
Use Only With Light Kits Marked Suitable For Use In Damp Locations.



4. Securely attach Lower Glass by twisting clockwise onto the Support Light Kit Assembly. Don't overtighten or force it. (Figure 4A)

4A. Assemble the lower steel cap to the support light kit assembly by twisting in a clockwise direction. (Figure 4B)

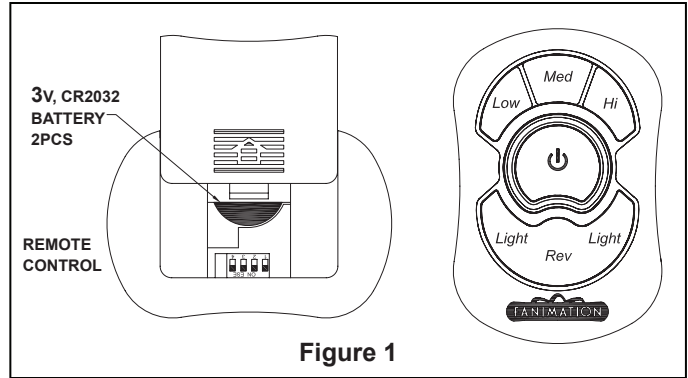
5. You have now completed the assembly of your ceiling fan. Restore electrical power.



Operating Instructions - TR20WH Hand-held Remote

1. Operating & Using Hand-held Remote (Figure 1):
Install two piece of 3 volt battery (If not using for long periods of time, remove battery to prevent damage to Store hand-held remote). the hand-held remote away from excess heat or humidity.

- HI Push Button – high fan speed
- MED Push Button – medium fan speed
- LOW Push Button – low fan speed
- REV Push Button – toggles airflow direction
- OFF Push Button – fan off
- Light Push Button – on/off



Maintenance

Periodic cleaning of your new ceiling fan is the only maintenance that is needed.

When cleaning, use only a soft brush or lint free cloth to avoid scratching the finish.

Abrasive cleaning agents are not required and should be avoided to prevent damage to finish.

CAUTION

Do not use water when cleaning your ceiling fan. It could damage the motor or the finish and create the possibility of electrical shock.

Blade Cleaning

Periodic light dusting of the blades is recommended. A feather duster will work best.

Avoid using water, cleansers, or harsh rags, which can warp and ruin the finish.

Trouble Shooting

⚠ WARNING

For your own safety turn off power at fuse box or circuit breaker before trouble shooting your fan.

Trouble	Probable Cause	Suggested Remedy
1. FAN WILL NOT START	<ol style="list-style-type: none"> 1. Fuse or circuit breaker blown. 2. Loose power line connections to the fan, or loose switch wire connections in the switch housing. 3. Dead battery in remote control. 	<ol style="list-style-type: none"> 1. Check main and branch circuit fuses or circuit breakers. 2. Check line wire connections to fan and switch wire connections in the switch housings. <p>CAUTION: Make sure main power is turned off !</p> <ol style="list-style-type: none"> 3. Replace with fresh battery.
2. FAN SOUNDS NOISY	<ol style="list-style-type: none"> 1. Blades not attached to fan. 2. Loose screws in motor housing. 3. Screws securing fan blade holders to motor hub are loose. 4. Wire connectors inside housing rattling. 5. Motor noise caused by solid state variable speed control. 6. Screws holding blades to blade holders are loose. 	<ol style="list-style-type: none"> 1. Attach blades to fan before operating. 2. Check to make sure all screws in motor housing are snug (not over-tight). 3. Check to make sure the screws which attach the fan blade holders to the motor hub are tight. 4. Check to make sure wire connectors in motor housing are not rattling against each other or against the interior wall of the housing. <p>CAUTION: Make sure main power is turned off !</p> <ol style="list-style-type: none"> 5. Some fan motors are sensitive to signals from solid-state variable speed controls. Solid-state controls are not recommended, choose an alternative control method. 6. Tighten screws securely.

Parts List

Model #FPS7880**

Ref. #	Description	Part #
1	Ceiling Bracket Assembly	AP788008
2	Fan Motor Assembly	AMA7880**
3	Blade Set (4)	AP788003**
4	Support Light Kit Assembly (AP788004**)	AP788022**
	Glass (P788005OP)	
5	CFL Bulb, 18W, GU24 base	PPGU24C18
6	Receiver Unit	RECAN55
7	Hand-held Remote	TR20WH
8	Lower Steel Cap	P788021**
9	<i>Hardware Bags Containing:</i>	HDWFPS7880
	Wire Connectors (4)	
	<i>Blade Assembly Mounting Hardware Bag Containing:</i>	
	³ / ₁₆ -24 x 11mm Screws with Pan Head (13)	
	Steel Washer	
	Phillips Screwdriver, 4"	
	<i>Ceiling Plate Hardware Bag Containing:</i>	
³ / ₁₆ -24 x 13mm Screws with Flat Head (4)		

***Insert FINISH CODES (Refer to fan model number located on downrod support)*

Before discarding packaging materials, be certain all parts have been removed

How To Order Parts	
Contact your retail store for repair parts. When ordering repair parts, always give the following information.	<ul style="list-style-type: none"> • Part Number • Part Description • Fan Model Number

The Inlet™ FPS7880** Exploded-View



Figure 1

NOTE: The illustration shown is not to scale or its actual configuration or finishes may vary



**10983 Bennett Parkway
Zionsville, IN 46077**

Toll Free (888) 567-2055

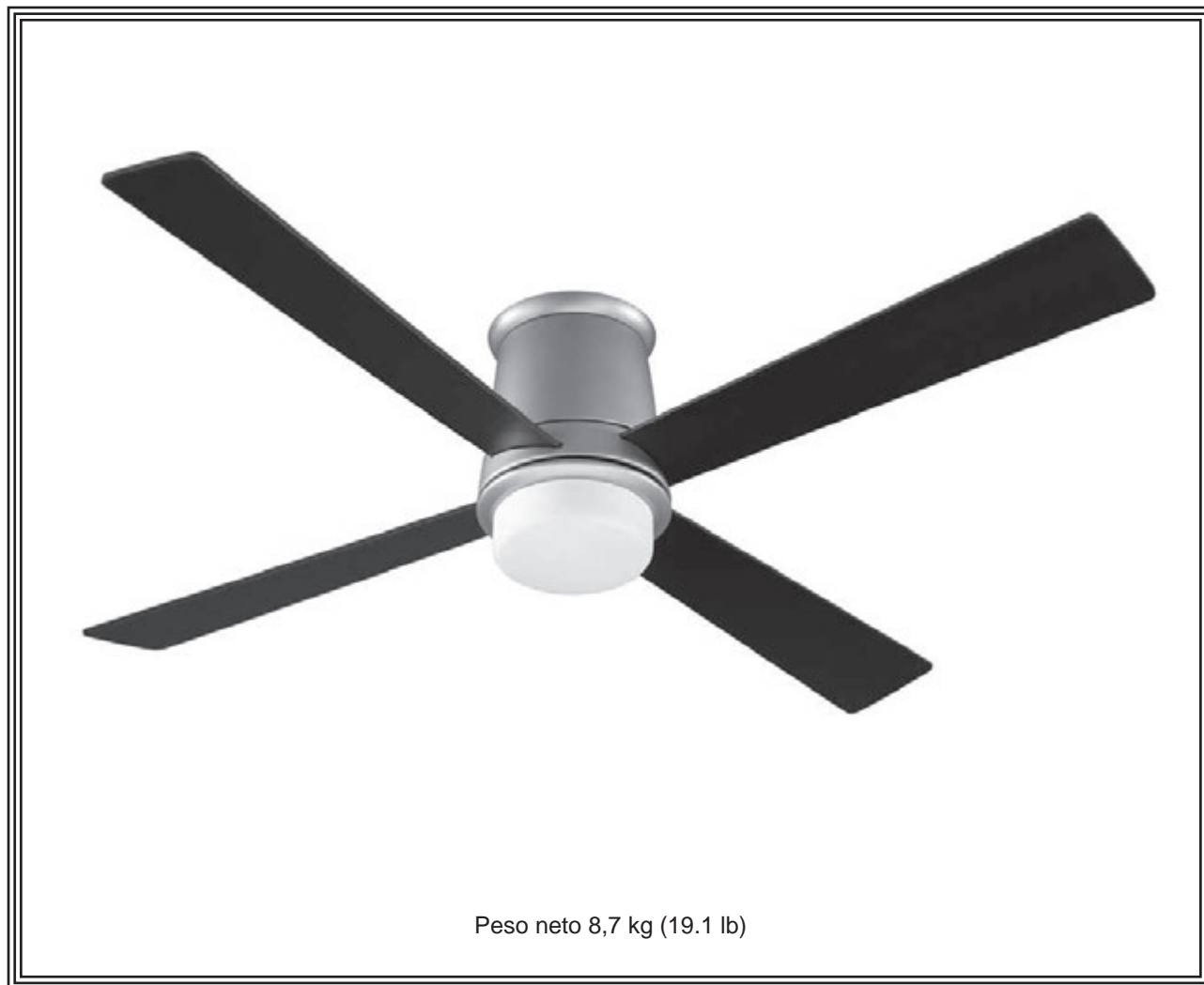
FAX (866) 482-5215

Outside U.S. call (317) 733-4113

Visit Our Website www.fanimation.com

The Inlet™

Cómodo ventilador de techo



Modelo N.º FPS7880**

MANUAL DEL PROPIETARIO
LEA Y GUARDE ESTAS INSTRUCCIONES



Instrucciones de seguridad importantes

ADVERTENCIA: Siga estas instrucciones para prevenir incendios, descargas eléctricas y lesiones personales graves.

1. Lea el manual del propietario y la información de seguridad antes de instalar su nuevo ventilador. Observe los diagramas de ensamblaje adjuntos.
2. Antes de llevar a cabo el mantenimiento o la limpieza de la unidad, desconecte la electricidad en el panel de servicio y bloquee los medios de desconexión del mismo para evitar que se active accidentalmente. Si no se pueden bloquear los medios de desconexión del servicio, coloque un dispositivo de advertencia, como una etiqueta, en el panel de servicio.
3. Tenga cuidado con la estructura y las aspas del ventilador cuando limpie, pinte o trabaje cerca del mismo. Desconecte siempre la electricidad del ventilador de techo antes de llevar a cabo el mantenimiento.
4. No coloque nada en las aspas del ventilador cuando éste se encuentra en funcionamiento.
5. No accione el conmutador inversor hasta que las aspas del ventilador se hayan detenido por completo.

Instrucciones de seguridad adicionales

1. Para evitar posibles descargas eléctricas, asegúrese de que la electricidad esté desconectada en la caja de fusibles antes de realizar la instalación eléctrica, y no haga funcionar el ventilador sin las aspas.
2. Todos los procedimientos de conexión eléctrica e instalación deben cumplir con los Códigos eléctricos nacionales (ANSI/NFPA 70-1999) y Códigos locales. El ventilador de techo debe estar conectado a tierra a fin de prevenir posibles descargas eléctricas. La instalación eléctrica debe ser llevada a cabo o aprobada por un electricista autorizado.
3. Se debe fijar bien la base del ventilador; ésta debe ser capaz de soportar sin problemas al menos 15,9 kg (35 lb). Consulte la página 18 del manual del propietario para ver los requisitos de soporte. Si tiene dudas, consulte a un electricista calificado.
4. Las aspas del ventilador deben instalarse por lo menos a 2 m (7 pies) del suelo, a fin de evitar un contacto accidental con las mismas.
5. Siga las recomendaciones sobre el método correcto de instalación eléctrica de su ventilador de techo. Si no posee la experiencia o los conocimientos eléctricos adecuados, contrate a un electricista autorizado para instalar el ventilador.
6. Apto para usar con controles de velocidad de estado sólido.

ADVERTENCIA: PARA REDUCIR EL RIESGO DE DESCARGAS ELÉCTRICAS, ESTE VENTILADOR SE DEBE INSTALAR CON UN CONTROL/INTERRUPTOR DE PARED AISLADO.

ADVERTENCIA: Este producto está diseñado para ser usado sólo con las piezas suministradas o los accesorios indicados específicamente para el mismo. Si utiliza piezas o accesorios que no están indicados para su uso con este producto, podría sufrir lesiones personales o dañar el ventilador. **ADVERTENCIA:** Este producto está diseñado para ser usado sólo con las piezas suministradas o los accesorios indicados específicamente para el mismo. Si utiliza piezas o accesorios que no están indicados para su uso con este producto, podría sufrir lesiones personales o dañar el ventilador.

ADVERTENCIA: Para reducir el riesgo de lesiones personales, no doble los soportes de las aspas (borde o soporte de aspas) al instalar los soportes, balancear las aspas o limpiar el ventilador. No coloque objetos extraños entre las aspas del ventilador en funcionamiento.

GARANTÍA LIMITADA DE POR VIDA

Se extiende al comprador original de un ventilador Fanimation

1. GARANTÍA LIMITADA DE POR VIDA DEL MOTOR - Si se produjera una falla en alguna de las partes del motor de su ventilador debido a un defecto en los materiales o en la fabricación durante el tiempo de vida del comprador original, Fanimation proporcionará la pieza de repuesto sin cargo una vez que el ventilador defectuoso sea devuelto a nuestro centro de servicios nacional. Se requiere comprobante de venta. El cliente se hará responsable de todos los gastos de remoción o reinstalación y envío del producto para reparaciones o sustitución.
2. GARANTÍA DE MANO DE OBRA DEL MOTOR POR UN AÑO - Si el motor de su ventilador fallara antes de cumplirse un año a partir del momento de su compra original debido a defectos en los materiales o en la fabricación, se le efectuará la reparación del mismo sin cargo en nuestro centro de servicios nacional. El comprador se hará responsable de los gastos de mano de obra luego del período de un año. El cliente se hará responsable de todos los gastos de remoción o reinstalación y envío del producto para reparaciones o sustitución.
3. Si otra pieza del ventilador fallara dentro del período de un año a partir de la fecha de compra original debido a un defecto en los materiales o en la fabricación, repararemos o sustituiremos, según creamos conveniente, la pieza defectuosa sin cargo alguno en nuestro centro de servicios nacional.
4. Debido a las diversas condiciones climáticas, esta garantía no cubre cambios en la terminación, incluidos oxidación, corrosión, falta de brillo o peladuras.
5. Esta garantía es nula y no se aplica a daños por instalación incorrecta, negligencia, accidentes, uso indebido, exposición al calor o a la humedad en exceso, o como resultado de cualquier modificación realizada al producto original.
6. Todos los gastos de remoción y reinstalación del ventilador son responsabilidad exclusiva del propietario, y no de la tienda que vendió el ventilador ni de Fanimation.
7. Fanimation se reserva el derecho de modificar o discontinuar un producto en cualquier momento, o sustituir cualquier pieza según lo establecido por esta garantía.
8. En ningún caso se podrá devolver un ventilador sin previa autorización por parte de Fanimation. Las devoluciones autorizadas deberán ir acompañadas del recibo de venta y deberán enviarse a Fanimation, previo pago del flete. El ventilador que se devuelva deberá estar embalado en forma adecuada a fin de evitar daños durante el transporte. Fanimation no se hará responsable de los daños que resulten del embalaje incorrecto del producto.
9. Se entiende que las reparaciones y las sustituciones son el único recurso disponible de Fanimation. No existe ninguna otra garantía expresa o implícita. Por la presente, Fanimation niega todas las garantías implícitas, que incluyen, entre otras, la comerciabilidad y la aptitud para determinado fin hasta donde la ley lo permita. Algunos estados no permiten limitaciones sobre las garantías implícitas. Fanimation no se hará responsable por daños accidentales, resultantes o especiales derivados del uso o el rendimiento del producto o en conjunción con éste, excepto en los casos en los que la ley así lo disponga. Esta garantía le otorga derechos legales especiales y es posible que también goce de otros derechos que pueden variar según el estado.
10. Es normal que se produzca un cierto movimiento oscilante y esto no debe considerarse un problema o defecto.

Tabla de contenidos

Instrucciones para el desempaque.	17	Instalación de la unidad de la cubierta del kit	
Uso eficiente de la energía en ventiladores de techo.	18	de iluminación descendente.	23
Requisitos eléctricos y estructurales.	18	Instrucciones de funcionamiento - Control remoto TR20WH	24
Cómo colgar el ventilador de techo	19	Mantenimiento	24
Cómo realizar la instalación eléctrica del ventilador de techo	20	Limpieza de las aspas	24
Cómo ensamblar el ventilador de techo	21	Solución de problemas	25
Ensamblaje y montaje de las aspas del ventilador.	22	Lista de piezas	26
		Ilustración del despiece.	27

Este manual está diseñado para facilitar al máximo el ensamblaje, la instalación, el funcionamiento y el mantenimiento de su ventilador de techo.

Herramientas necesarias para el ensamblaje

- Destornillador Phillips
- Escalera de tijera
- Destornillador de 1/4"
- Pelacables
- Tres conectores de cables (incluidos)

Materiales

La caja de distribución eléctrica y los conectores de la caja deben ser del tipo requerido por el código local. El cable más pequeño debe ser un cable de tres conductores (de dos conductores con conexión a tierra) del siguiente tamaño:

longitud del cable instalado	tamaño del cable según el A.W.G.	(Calibre de Alambre Estadounidense)
hasta 15,2 m (50 pies)		14
de 15,2 a 30,5 m (50 a 100 pies)		12

NOTA: coloque las piezas de las bolsas de piezas individuales en un contenedor pequeño para evitar que se extravíen. Si faltan piezas, póngase en contacto con su proveedor local.

⚠ ADVERTENCIA

Antes de ensamblar el ventilador de techo, consulte la sección sobre el método correcto de instalación eléctrica del ventilador (página 18). Si siente que no posee la experiencia o los conocimientos eléctricos necesarios, contrate a un electricista autorizado para instalar el ventilador.

Instrucciones para el desempaque

Para su comodidad, marque cada uno de los pasos. A medida que completa cada paso, coloque una marca de verificación. Con esto se asegurará de completar todos los pasos y podrá saber desde dónde retomar si fuera interrumpido.

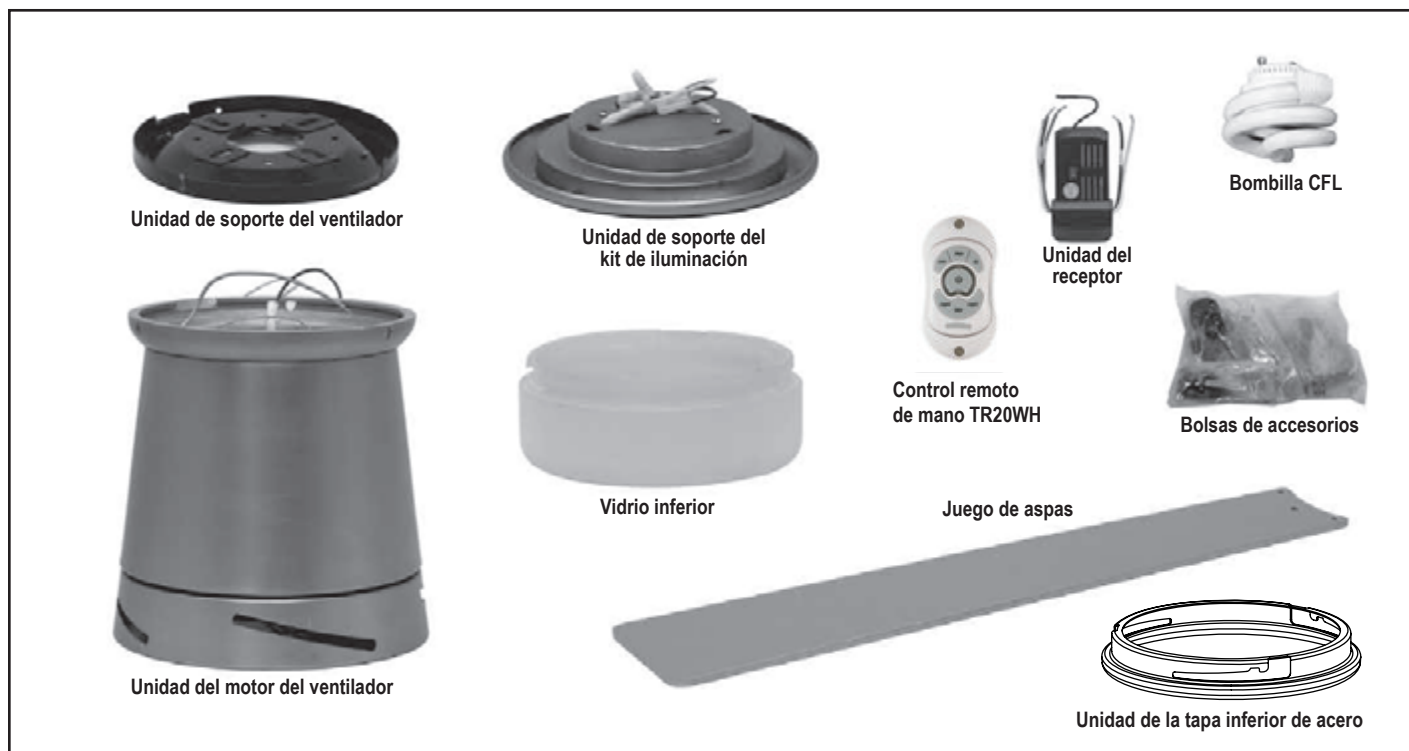
⚠ ADVERTENCIA

No instale ni utilice el ventilador si falta alguna pieza o si hay piezas dañadas. Este producto está diseñado para ser usado sólo con las piezas suministradas o los accesorios indicados por Fanimation específicamente para el mismo. La sustitución de piezas o accesorios no designados por Fanimation para usar con este producto podría ocasionar lesiones personales o daños en el ventilador. Póngase en contacto con su tienda si faltan piezas o hay piezas dañadas.

- Unidad del motor del ventilador
- Unidad de soporte del ventilador
- Unidad de soporte del kit de iluminación
- Bombilla de 18 vatios CFL
- Vidrio inferior
- Juego de aspas
- Control remoto de mano TR20WH
- Unidad del receptor
- Bolsas de accesorios:
 - Tornillos de cabeza de 3/16-24 x 11 mm (13)
 - Arandela de acero
 - Tuercas para terminales (4)
 - Destornillador Phillips de 4"
 - Tornillos de cabeza de 3/16-24 x 13 mm (13)
- Unidad de la tapa inferior de acero

1. Verifique que haya recibido las siguientes piezas:

NOTA: Si no está seguro de la descripción de una pieza, consulte la ilustración del despiece. (Figura 1, página 27)



Uso eficiente de la energía en ventiladores de techo

El nivel de rendimiento y ahorro de energía de los ventiladores de techo dependen de su correcta instalación y uso. A continuación le presentamos algunas sugerencias para asegurar un rendimiento eficiente del producto.

Selección del lugar de montaje adecuado

Los ventiladores de techo se deben instalar en el centro de la habitación, a 2 m (7 pies) de altura del piso como mínimo y 0,5 m (18 pulgadas) de las paredes. Si la altura del techo lo permite, instale el ventilador a 2,5 m (8-9 pies) por encima del suelo para un flujo de aire óptimo. Consulte en su tienda minorista de Fanimation para obtener accesorios de montaje opcionales.

Apague el ventilador cuando no se encuentre en la habitación

Los ventiladores son para refrescar a la gente, no a las habitaciones. Si la habitación está vacía, apague el ventilador de techo para ahorrar energía.

Uso del ventilador de techo todo el año

En verano: Use el ventilador de techo en sentido contrario a las agujas del reloj. El flujo de aire que produce el ventilador creará un efecto frío del aire que lo refrescará más. Seleccione una velocidad que le proporcione una brisa confortable. Las velocidades más bajas consumen menos energía.

En invierno: Invierta el motor y haga funcionar el ventilador de techo a velocidad baja y en el sentido de las agujas del reloj. Esto produce una suave corriente ascendente, que obliga al aire cálido que se acumula cerca del techo a bajar al espacio ocupado. No olvide ajustar el termostato cuando utilice el ventilador de techo. Con este sencillo paso puede ahorrar energía adicional y dinero.

Requisitos eléctricos y estructurales

Su nuevo ventilador de techo requiere una línea de suministro eléctrico con conexión a tierra de 120 voltios de CA, 60 Hz, circuito de 15 amperios. La caja de distribución eléctrica debe estar bien asegurada y debe ser capaz de soportar una carga de, al menos, 22,7 kg (50 lb). La Figura 1 muestra diversas configuraciones estructurales que podrían utilizarse para montar la caja de distribución eléctrica.

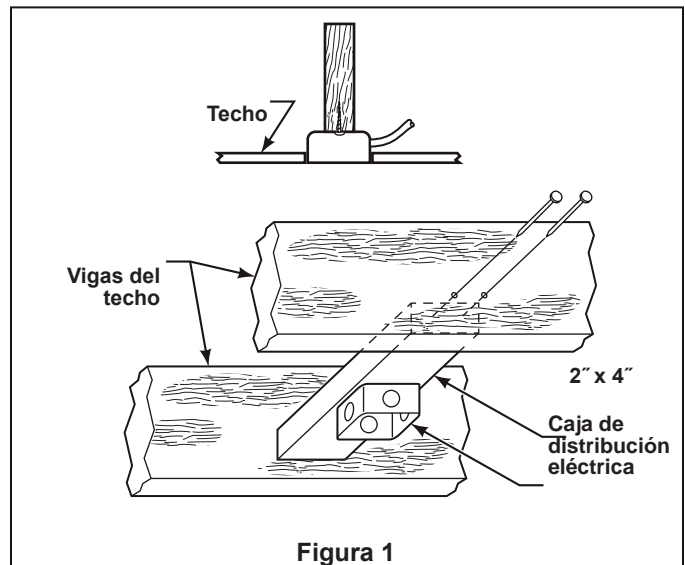
⚠ ADVERTENCIA

Para reducir el riesgo de incendios, descargas eléctricas o lesiones personales, fije el ventilador a la caja de distribución eléctrica marcada como aceptable para soporte de ventilador. Utilice los tornillos suministrados con la caja de distribución eléctrica. La mayoría de las cajas de distribución eléctricas que comúnmente se utilizan como soporte de lámparas no son aptas para soporte de ventiladores y es posible que deban reemplazarse. Consulte a un electricista calificado si tiene dudas.

Si el ventilador reemplazará a una lámpara existente, desconecte la electricidad de la caja de fusibles principal y retire la lámpara.

⚠ ADVERTENCIA

Apagar el interruptor de pared no es suficiente. Para evitar posibles descargas eléctricas, asegúrese de que la electricidad esté desconectada en la caja de fusibles principal antes de realizar la instalación eléctrica. Toda instalación eléctrica debe cumplir con los códigos nacionales y locales y el ventilador de techo debe tener la conexión a tierra adecuada como forma de precaución ante posibles descargas eléctricas.



⚠ ADVERTENCIA

A fin de evitar incendios o descargas eléctricas, siga con cuidado todas las instrucciones de instalación eléctrica. Cualquier trabajo eléctrico que no se describa en estas instrucciones deberá ser realizado o aprobado por un electricista autorizado.

Cómo colgar el ventilador de techo

⚠ ADVERTENCIA

Las aspas del ventilador deben estar suspendidas, al menos, a 2 m (7') del piso (Figura 1)

⚠ ADVERTENCIA

Para evitar posibles descargas eléctricas, asegúrese de que la electricidad esté desconectada en la caja de fusibles principal antes de colgar el ventilador.

NOTA: Si no está seguro de si la caja de distribución eléctrica tiene conexión a tierra, pida asesoramiento a un electricista autorizado, ya que la conexión a tierra es fundamental para un funcionamiento seguro.

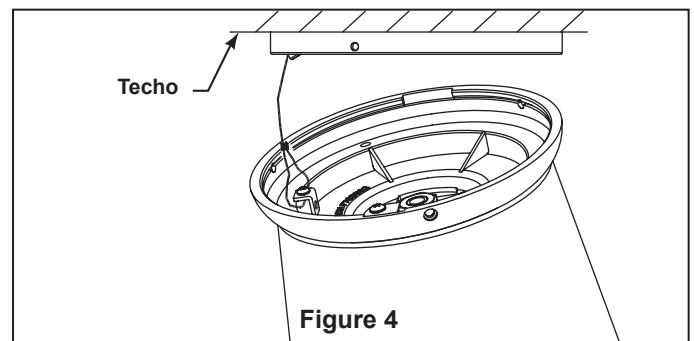
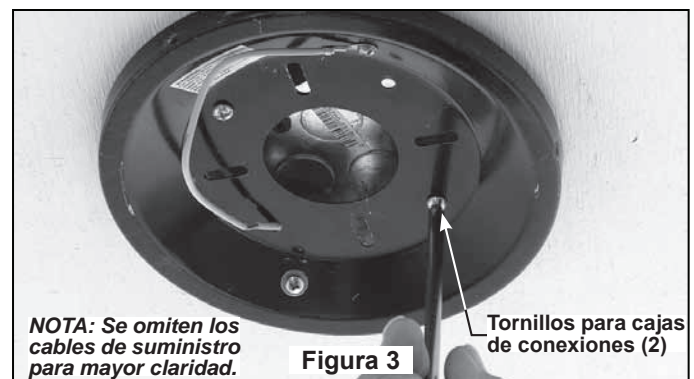
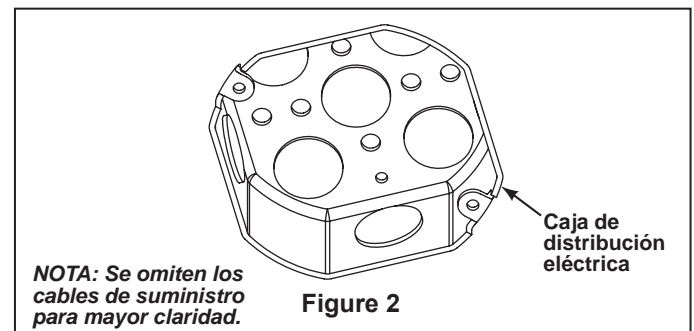
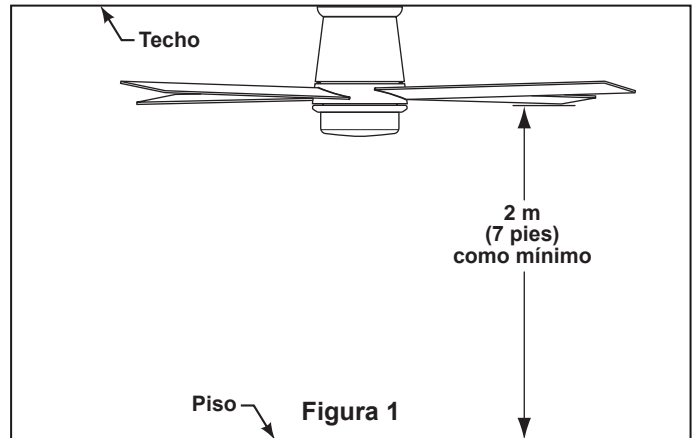
⚠ ADVERTENCIA

Es fundamental que la caja de distribución eléctrica y los tornillos estén bien asegurados a la estructura armada y que sean capaces de soportar una carga de, al menos, 22,7 kg (50 lb). Si los tornillos no están correctamente colocados, el ventilador podría caerse. (Figura 2)

1. Ajuste bien la caja de conexiones del techo apta para soporte de ventilador en la estructura armada. (Figura 2)

2. Ajuste bien el soporte del ventilador a la caja de conexiones del techo como se muestra. (Figura 3)

3. Cuelgue la unidad del motor como se muestra. (Figura 4) Ahora puede continuar con las instrucciones para realizar la instalación eléctrica de su ventilador.



Cómo realizar la instalación eléctrica del ventilador de techo

Si considera que no cuenta con la experiencia o los conocimientos eléctricos necesarios, contrate a un electricista autorizado para instalar el ventilador.

⚠ ADVERTENCIA

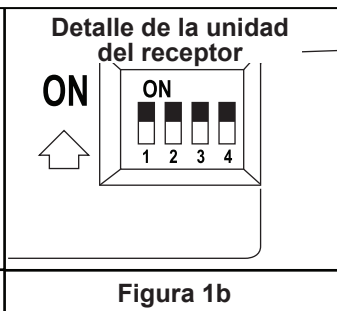
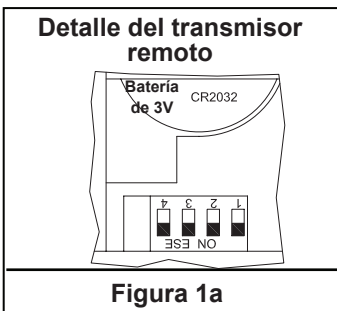
Para evitar posibles descargas eléctricas, asegúrese de que la electricidad esté desconectada en la caja de fusibles principal antes de realizar la instalación eléctrica.

NOTA: Si no está seguro de si la caja de distribución eléctrica tiene conexión a tierra, pida asesoramiento a un electricista autorizado, ya que la conexión a tierra es fundamental para un funcionamiento seguro.

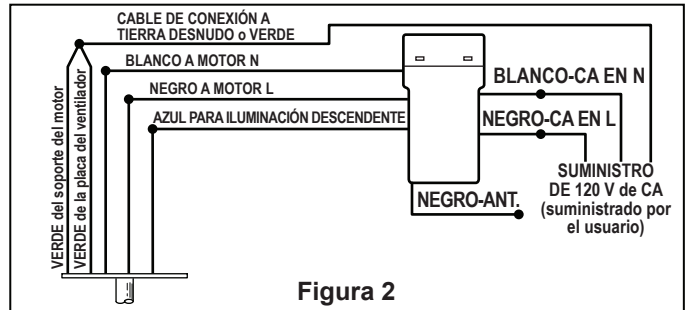
1. Configuración del código: La unidad del control remoto cuenta con 16 combinaciones de código diferentes. Para evitar posibles interferencias desde o hacia otras unidades de control remoto como la de apertura de puertas del garaje, la alarma del auto o sistemas de seguridad, simplemente cambie la combinación del código en su transmisor y receptor. Para configurar el código, siga los siguientes pasos.

• **Transmisor:** retire la cubierta de la batería. Presione firmemente la flecha que se encuentra debajo y deslice para retirar la cubierta de la batería. Seleccione su opción deslizando los interruptores de código hacia arriba o hacia abajo. La configuración de fábrica es en la posición superior. No utilice esta posición. Con un destornillador pequeño o con una lapicera deslice firmemente hacia arriba o hacia abajo (Figura 1a). Vuelva a colocar la cubierta de la batería en el transmisor.

• **Receptor:** Deslice los interruptores de código a las mismas posiciones que en el transmisor (Figura 1b).



NOTA: Si los cables de suministro o del ventilador son de colores diferentes que los indicados, contrate a un electricista calificado para que realice la instalación.



2. Conexión de los cables del receptor:

- Conecte los cables como se indica: (Figura 2)
 - Soporte de la placa del ventilador y del motor verde y cables de la semiesfera al cable (conexión a tierra) DESNUDO.
 - Cable NEGRO de la unidad del receptor (CA EN L) al cable de suministro NEGRO.
 - Cable BLANCO de la unidad del receptor (CA EN N) al cable de suministro BLANCO.
 - Cable BLANCO de la unidad del receptor (AL MOTOR N) al cable BLANCO del ventilador.
 - Cable NEGRO de la unidad del receptor (AL MOTOR L) al cable NEGRO del ventilador
 - Cable AZUL de la unidad del receptor (PARA ILUMINACIÓN ASCENDENTE Y DESCENDENTE) al cable AZUL de iluminación.
- Coloque todos los cables conectados y la antena del receptor para permitir la instalación de la unidad del motor.

3. Luego de realizar el cableado, se deben separar los cables: el conductor con conexión a tierra y el conductor con conexión a tierra del equipo debe ir en un lado de la placa del ventilador y el conductor sin conexión a tierra debe ir del otro lado. Luego de empalmar, la conexión eléctrica debe doblarse hacia arriba e insertarse con cuidado en la caja de distribución eléctrica.

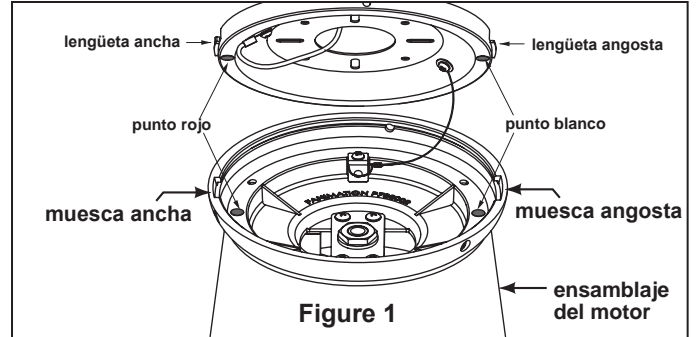
⚠ ADVERTENCIA

Verifique que todas las conexiones estén bien ajustadas, incluida la conexión a tierra, y que no haya ningún cable desnudo visible en los conectores de cables, a excepción del cable de conexión a tierra. No haga funcionar el ventilador hasta que las aspas estén colocadas. Podrían producirse ruidos y daños en el ventilador.

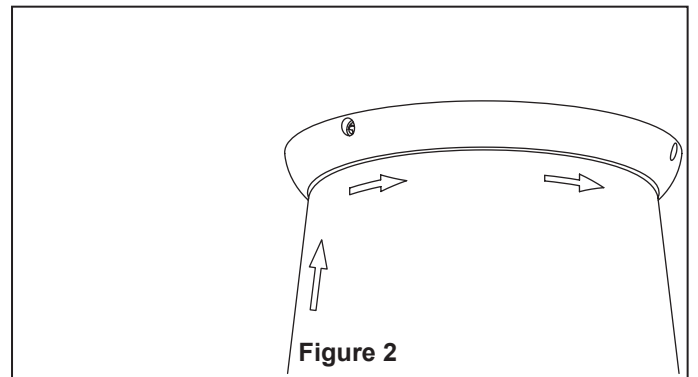
Cómo ensamblar el ventilador de techo

NOTA: Este paso se debe realizar luego de completar la instalación eléctrica necesaria. (consulte la página 20)

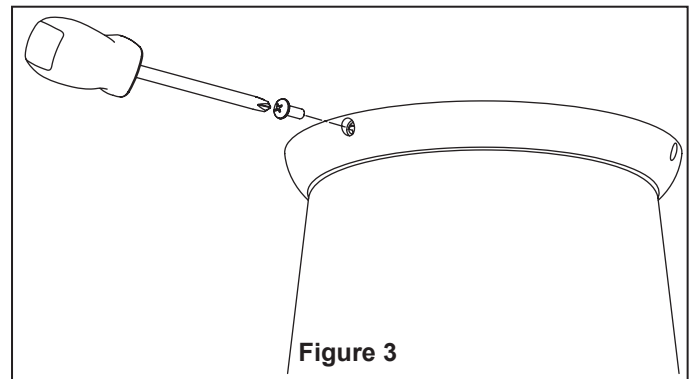
1. Alinee la muesca ancha (con el punto rojo) del ensamblaje del motor del ventilador a la lengüeta ancha (con el punto rojo) de la placa del techo y la muesca angosta (con el punto blanco) del ensamblaje del motor del ventilador con la lengüeta angosta (con el punto blanco) de placa del techo. (Figura 1)



2. Asegure cuidadosamente la unidad de la caja en las ranuras de montaje en el soporte del techo con un cuarto giro hacia arriba en el sentido de las agujas del reloj. (Figura 2)

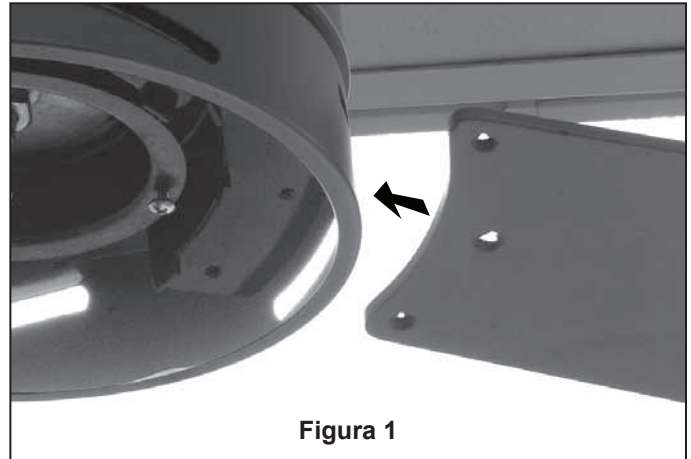


3. Asegure la unidad de la caja en el soporte del techo con los tres tornillos incluidos, no ajuste demasiado (Figura 3).



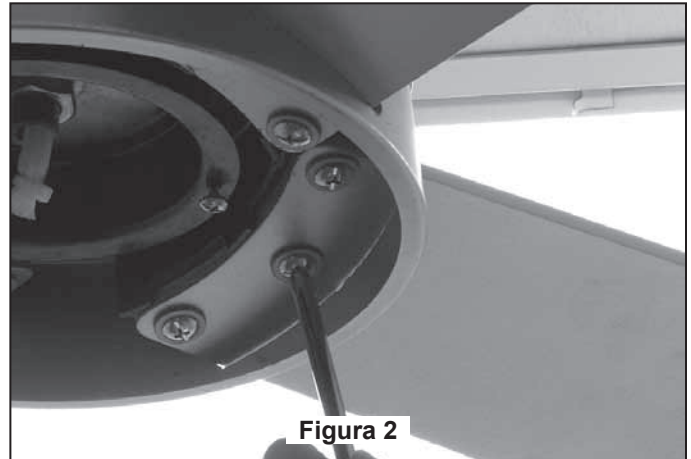
Ensamblaje y montaje de las aspas del ventilador

1. Deslice con cuidado las aspas a través de la ranura, como se muestra. (Figura 1)



2. Asegure bien las aspas con tornillos de cabeza. No ajuste demasiado. (Figura 2)

3. Asegúrese de que los tornillos que fijan las aspas al buje del motor estén bien ajustados y que las aspas estén correctamente colocadas.

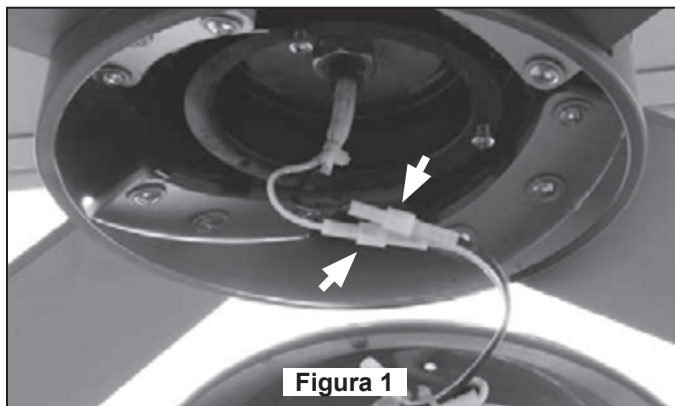


Instalación de la unidad de la cubierta del kit de iluminación descendente

PRECAUCIÓN

Para evitar posibles descargas eléctricas, asegúrese de que la electricidad esté desconectada antes de instalar la iluminación descendente.

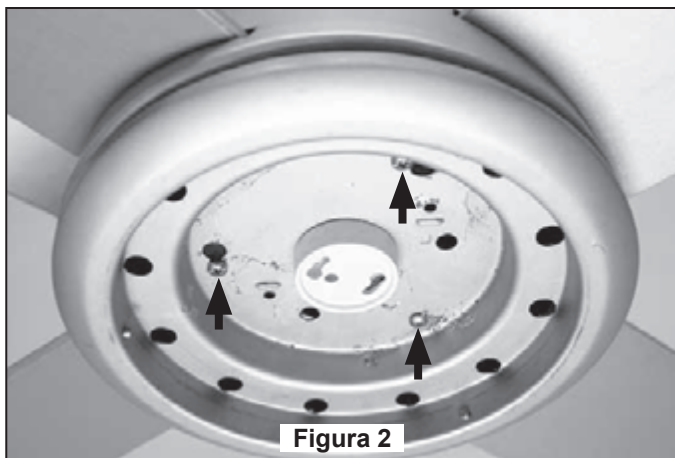
1. Fije firmemente los enchufes del motor al portalámparas en la unidad de soporte del kit de iluminación (Figura 1)



2. Fije firmemente la unidad de soporte del kit de iluminación a la placa del adaptador ajustando los tres tornillos que se incluyen con el ventilador. (Figura 2)

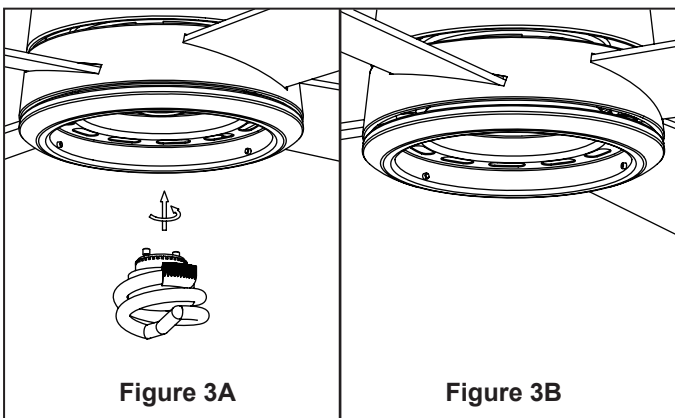
NOTA DE INSTALACIÓN

Asegúrese de alinear los orificios curvados que se encuentran en el soporte de la placa de iluminación descendente. (Figura 2)



3. Instale la bombilla CFL (incluida – 18 vatios como máximo, GU24 base) en el portalámparas en la unidad de soporte del kit de iluminación. (Figura 3A)

3A. No instale las bombillas si desea montar la tapa inferior de acero en el Paso 4A (Figura 3B).



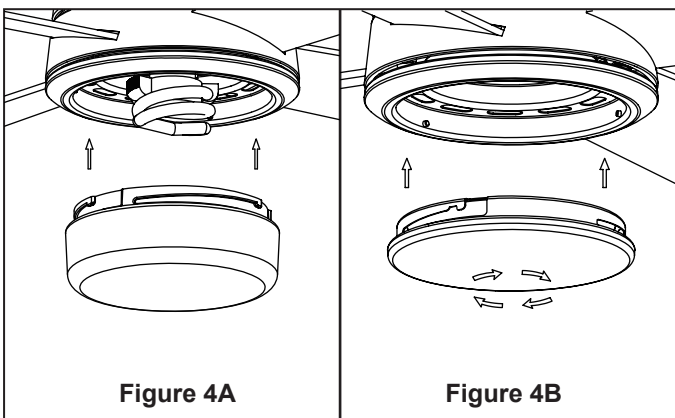
IMPORTANTE

La bombilla de 18 vatios es el máximo vataje permitido para hacer funcionar el ventilador de manera segura.

Utilice sólo con kits de iluminación rotulados con las inscripciones “Apto para utilizar en lugares húmedos”.

4. Fije firmemente el vidrio inferior girando en el sentido de las agujas del reloj en la unidad de soporte del kit de iluminación. No ajuste demasiado ni lo fuerce. (Figura 4A)

4A. Instale la tapa inferior de acero en la soporte del kit de iluminación girándolo en el sentido de las agujas del reloj. (Figure 4B)



5. De esta manera completó el ensamblaje de su ventilador de techo. Vuelva a conectar la corriente eléctrica.

Instrucciones de funcionamiento - Control remoto de mano TR20WH

1. Funcionamiento y uso del Control remoto de mano: Instale dos piezas de la batería de 3 voltios (si no se va a utilizar por largos períodos de tiempo, retire la batería para evitar daños a control remoto de mano.) Guarde el Control remoto de mano lejos del exceso de calor o humedad.

- Botón HI (alto) – velocidad del ventilador alta
- Botón MED (medio) – velocidad del ventilador media
- Botón LOW (bajo) – velocidad del ventilador baja
- Botón REV (Giro) – alterna la dirección de flujo de aire
- Botón OFF (apagado) – ventilador apagado
- Botón de iluminación – encendido/apagado

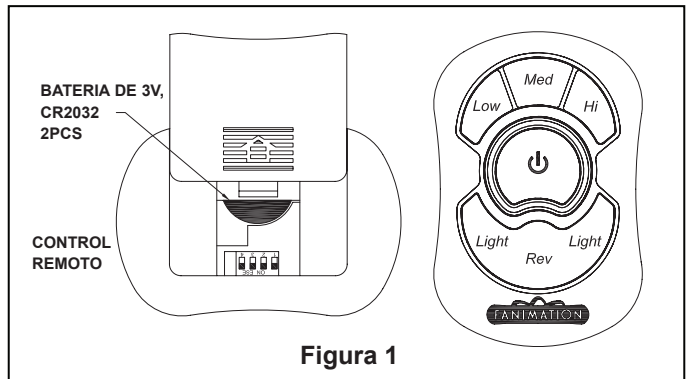


Figura 1

Mantenimiento

El único mantenimiento necesario para el ventilador de techo es una limpieza periódica.

Al llevar a cabo la limpieza, use sólo un cepillo suave o un paño sin pelusas, para evitar rayar la terminación.

No se requieren agentes abrasivos de limpieza; los mismos deben evitarse para prevenir daños en la terminación.

PRECAUCIÓN

No utilice agua para limpiar el ventilador de techo. Podría dañar el motor o la terminación y ocasionar posibles descargas eléctricas.

Limpieza de las aspas

Se recomienda limpiar el polvo de las aspas periódicamente. Lo mejor es utilizar un plumero.

Evite usar agua, productos de limpieza o trapos ásperos, que pueden combar o dañar el acabado.

Solución de problemas

ADVERTENCIA

Para su propia seguridad, desconecte la electricidad de la caja de fusibles o disyuntor antes de solucionar problemas en su ventilador.

Problema	Causa posible	Solución sugerida
1. EL VENTILADOR NO ARRANCA	<ol style="list-style-type: none"> 1. El fusible o el disyuntor están fundidos. 2. Las conexiones eléctricas del ventilador o del interruptor en la caja del interruptor están flojas. 3. Batería agotada en el control remoto. 	<ol style="list-style-type: none"> 1. Revise los fusibles del circuito principal y derivado o los disyuntores. 2. Revise las conexiones eléctricas del ventilador y del interruptor en las cajas de los interruptores. <p>PRECAUCIÓN: Asegúrese de que el suministro principal de electricidad esté desconectado.</p> <ol style="list-style-type: none"> 3. Reemplace con una batería nueva.
4. EL VENTILADOR HACE RUIDO	<ol style="list-style-type: none"> 1. Las aspas no están sujetas al ventilador. 2. Hay tornillos flojos en la caja del motor. 3. Los tornillos que aseguran los soportes de las aspas al buje del motor están flojos. 4. Los conectores de cables dentro de la caja hacen ruido. 5. Ruido del motor provocado por el control de velocidad de estado sólido variable. 6. Los tornillos que sujetan las aspas a los soportes de aspas están flojos. 	<ol style="list-style-type: none"> 1. Ajuste las aspas al ventilador antes de ponerlo en funcionamiento. 2. Asegúrese de que todos los tornillos de la caja del motor estén bien ajustados (pero no en exceso). 3. Asegúrese de que los tornillos que fijan los soportes de aspas al buje del motor del ventilador estén bien ajustados. 4. Asegúrese de que los conectores de cables en la caja del motor no produzcan ruido al rozar unos con otros o al rozar la pared interior de la caja. <p>PRECAUCIÓN: Asegúrese de que el suministro principal de electricidad esté desconectado.</p> <ol style="list-style-type: none"> 5. Algunos motores de ventilador son sensibles a las señales de los controles de velocidad de estado sólido variables. Los controles de estado sólido no son recomendables. Escoja un método de control alternativo. 6. Ajuste bien los tornillos.

Lista de piezas

Modelo N.º FPS7880**

N.º de ref.	Descripción	Pieza N.º
1	Unidad de soporte del ventilador	AP788008
2	Unidad del motor del ventilador	AMA7880**
3	Juego de aspas (4)	AP788003**
4	Unidad de soporte del kit de iluminación (AP788004**)	AP788022**
	Vidrio (P788005OP)	
5	Bombilla CFL, 18 vatios, GU24 base	PPGU24C18
6	Unidad del receptor	RECAN55
7	Control remoto de mano	TR20WH
8	Unidad de la tapa inferior de acero	P788021**
9	<i>Bolsas de accesorios que contienen:</i>	HDWFPS7880
	Conectores de cables (4)	
	<i>Bolsa de accesorios para el montaje de las unidades de aspas que contiene:</i>	
	Tornillos de cabeza de $\frac{3}{16}$ -24 x 11 mm (13)	
	Arandela de acero	
	Destornillador Phillips de 4"	
	<i>Bolsa de accesorios para el unidad de soporte del ventilador que contiene:</i>	
	Tornillos de cabeza de $\frac{3}{16}$ -24 x 13 mm (4)	

**Inserte los CÓDIGOS DE TERMINACIÓN (consulte el número de modelo del ventilador que se encuentra en el soporte de barra)

Antes de desechar los materiales de embalaje, asegúrese de haber extraído todas las piezas

Cómo ordenar piezas

Póngase en contacto con su tienda para obtener las piezas de repuesto. Al ordenar piezas de repuesto, proporcione siempre la siguiente información.

- Número de pieza
- Descripción de la pieza
- Número de modelo del ventilador

The Inlet™ FPS7880** Despiece



Figura 1

NOTA: La ilustración que se muestra no está hecha a escala y su configuración real o las terminaciones puede variar



**10983 Bennett Parkway
Zionsville, IN 46077**

Llame sin cargo al (888) 567-2055

FAX (866) 482-5215

Desde fuera de los EE.UU., llame al (317) 733-4113

Visite nuestro sitio Web en www.fanimation.com