

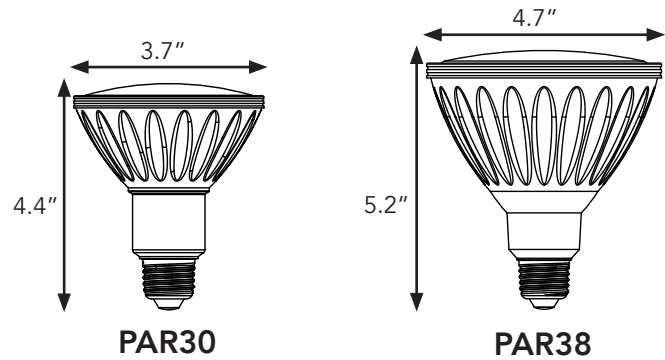
**OUTDOOR PAR SERIES**    PAR30 PAR38

**BENEFITS**

- Up to 76% more efficient than halogen equivalent
- Longer life and lower maintenance costs
- Mercury and Lead free, as well as UV and IR free
- Instant on to full brightness
- Wet location rated

**SPECIFICATIONS**

EQUIVALENT	45 to 70 Watt Halogen
AVERAGE RATED LIFE	25,000 hrs
HOUSING	Aluminum, Plastic
BASE	Medium (E26)
POWER	120V, 60Hz
LENS	Prismatic Glass
BEAM	60° Wide Flood
DIM	Non-Dimmable
COLOR	3000k, 5000k, Red, Green, Amber, Purple, Blue


**APPLICATION INFORMATION**

Applications	Market Segments
— Outdoor	— Residential
— Landscaping	— Hospitality
— Architectural	— Industrial
— Security	— Retail

**Application Notes**

1. Operating temperature range between -20°C and +45°C (-4°F and +113°F)
2. Not for use with emergency light fixtures or exit lights
3. Not for use in totally enclosed fixture
4. UL approved for outdoor/wet location

This device complies with Part 15 of the FCC rules and has been tested and found to comply with the limits for a Class B digital device. These limits are designed to provide reasonable protection against harmful interference in a residential installation. This equipment uses and can radiate radio frequency energy and, if not installed and used in accordance with the instructions, may cause harmful interference to radio communications. Any changes or modifications not expressly approved by the manufacturer could void the user's authority to operate the equipment.

**CERTIFICATIONS**


LM79 reports are available upon request.



Based on 12 hours of use per day.

**ORDERING INFORMATION**

**PAR30**

Order Code	Part Number	Wattage (W)	Base	Replaces	Voltage (V)	CCT <sup>1</sup>	Typical Lumens <sup>2</sup>	CRI <sup>3</sup>	Dim	Beam	Weight (lbs)	Case Qty.
K7L6	LED-PAR30L-700NDO-30	12	E26	50W Halogen	120	3000	700	84	No	60°	0.6	18
K7L7	LED-PAR30L-700NDO-50	12	E26	50W Halogen	120	5000	700	86	No	60°	0.6	18

**PAR38**

Order Code	Part Number	Wattage (W)	Base	Replaces	Voltage (V)	CCT <sup>1</sup>	Typical Lumens <sup>2</sup>	CRI <sup>3</sup>	Dim	Beam	Weight (lbs)	Case Qty.
K6L8	LED-PAR38-15W900NDO-30	15	E26	70W Halogen	120	3000	900	83	No	60°	1.1	18
K6L9	LED-PAR38-15W900NDO-50	15	E26	70W Halogen	120	5000	900	83	No	60°	1.1	18

1. Thermally stable typical CCT (±10%) 2. Thermally stable typical lumens (±10%) 3. CRI - Color Rendering Index

**PAR38 Colors**

Order Code	Part Number	Wattage (W)	Base	Voltage (V)	Color	Wavelength (Nm)	Typical Lumens <sup>1</sup>	Dim	Beam	Weight (lbs)	Case Qty.
K7L1	LED-PAR38-200NDO-R	7	E26	120	Red	619-631	200	No	60°	1.1	18
K7L2	LED-PAR38-350NDO-G	9	E26	120	Green	515-525	350	No	60°	1.1	18
K7L3	LED-PAR38-100NDO-A	7	E26	120	Amber	585-595	100	No	60°	1.1	18
K7L4	LED-PAR38-150NDO-P	9	E26	120	Purple	460-470 + 619-631	150	No	60°	1.1	18
K7L5	LED-PAR38-100NDO-B	9	E26	120	Blue	460-470	100	No	60°	1.1	18

1. Thermally stable typical lumens (±10%)

For the most up-to-date specifications, visit [kobielectric.com](http://kobielectric.com).