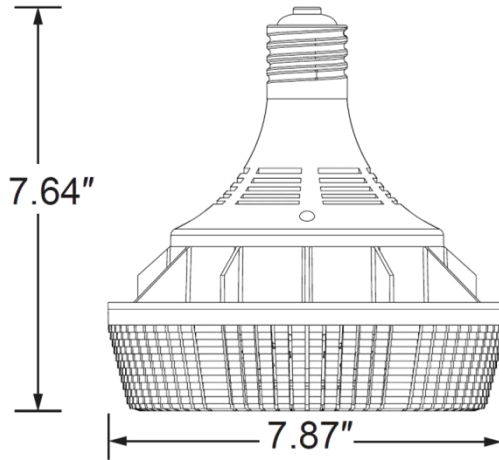


LED-8036M High Bay / Low Bay / Area

<u>SKU (USA)</u>	<u>SKU (Canada)</u>	<u>Description</u>
LED-8036M30	LED-8036M30C	100W 3000K
LED-8036M42	LED-8036M42C	100W 4200K
LED-8036M57	LED-8036M57C	100W 5700K

Technical Specifications			
Models USA/CANADA	LED-8036M30/ LED-8036M30C	LED-8036M42/ LED-8036M42C	LED-8036M57/ LED-8036M57C
CCT	3000K	4200K	5700K
Power Consumption	100 watts		
Replaces	250w MH/HPS		
Mounting	E39		
Voltage	120-277VAC (USA) 120-347VAC (CANADA)		
LED Type	300 Samsung #5630 SMD		
Beam Angle	360		
Dimmable	No		
Operating Temp	-40°F - +122°F		
Rated R70 Life	Up to 50,000 Hrs.		
Warranty	5 Year Limited*		
LM79 Specifications	No	Yes	Yes
Power (W)	100	98.5	101.1
CCT	3000	4281	5578
Lumen Output	>8500	10698	10465
Efficacy	>80	108.6	103.52
THD @ 277V	n/a	19.98%	19.96%
PF @ 277V	n/a	0.927	0.93
CRI:	>80	84	86.2
R9	n/a	15	35
Duv	n/a	0.0003	-0.0027
Packaging	4 / Master Carton		
Unit	10" x 10" x 9.65" 3.56 lbs.		
Master	20.7"x10.6"x19.9" 15.8 lbs.		



100W
LED for HID

Replaces
250W
MH / HPS

CLASSIFIED CLASSIFIED
UL C UL
LISTED LISTED

lighting design lab

Description:

100W LED retrofit lamp to replace MH and HPS lamps up to 250w, E39 Mogul base. UL listed approved for damp environments & fully enclosed fixtures. Retrofitted fixture retains UL approval under UL Classified 1598C.

Features:

- Replaces 250w HID Lamps
- 120-277V or 120-347V (Canada)
- UL approved for fully enclosed fixtures and damp environments (USA & Can)
- Active Cooling Fan >70,000 hr. rated life
- 50,000 rated life
- 5 year limited warranty (see website for details)

Applications:



High Bay



Canopy

Installation Notes:

- When installing LED-8000 series retrofit lamps within HID fixtures, **ballast must be bypassed** when present.
- 8000 series retrofits are UL damp rated, sealing the fixtures after installation will deliver best results.
- **Installing surge/lightning protectors is highly recommended** and helps to eliminate premature driver failure caused by surges and other power fluctuations.

NOTE: All specification information falls within a ± 2% range and is subject to change without notice.
NOTE: Light Efficient Design is providing this information to the general public. Please note that all products contained herein are trademarked, copyrighted, and/or have patents pending. Any use of these designs is strictly prohibited without prior written consent. Light Efficient Design protects its proprietary information vigorously in the courts of the United States of America.