

MaxLite® LED VAPOR TIGHT LINEAR FIXTURES



A cost effective LED Vapor Tight Fixture features a full length polycarbonate lens and a one-piece white glass reinforced polyester (GRP) body. Designed to meet or exceed seven to 10 foot-candles at 8' installed heights for parking drive lane compliance. The fixtures are ideal for utility lighting in parking garages and stairwells, meeting applicable building and safety codes.

FEATURES:

- Thermal/lumen balanced light engines
- Non-corrosive glass reinforced polyester (GRP) housing
- Stainless steel specification grade hasps and clips
- Non-occupancy dimming option avail.
- Back and end knockouts
- Low power consumption
- Ceiling or wall mounted
- IP66-rated with hermetic sealing
- White finish standard
- CRI: >83CRI

CONSTRUCTION:

- One pieces glass reinforced polyester (GRP) body
- Milky white polycarbonate lens with inside ribbing
- Electrostatic paint steel chassis
- Universal voltage (120-277V)
- Class II driver

Thermal/ lumen balanced light engines –

MaxLite engineered low drive rates allow cooler operating temperatures, which allows for less thermal heat sinking needed, and more, cooler and better performing LEDs that produce a higher lumen output.



48" LED Vapor Tight

24" LED Vapor Tight



ORDERING EXAMPLE: LSV4806U35DV41

CLASS	TYPE	LENGTH	WIDTH	APPLICATION	VOLTAGE	NOMINAL WATTAGE	DIMMING	CCT	OPTIONS
LS = Linear Utility	V = Vapor Tight	48 = 50" 24 = 26"	06 = 6.25"	S = Surface Mount	U = Universal 120-277VAC 3 = 347VAC 4 = 480VAC	20 = 20W* 28 = 28W 35 = 35W 45 = 45W**	BLANK = Non-dimming DV = 0-10V Dimming	41 = 4100K 50 = 5000K	MS*** = Occupancy Sensor

*All data subject to change

*20W not available in 48 length

**45W not available in 24 length

***MS occupancy sensor requires DV 0-10v dimming

MaxLite® LED VAPOR TIGHT LINEAR FIXTURES



SPECIFICATIONS:

ITEM	SPECIFICATION	DETAILS - 24			DETAILS - 48		
GENERAL PERFORMANCE	Spacing Criteria	Available upon request			Available upon request		
	Color Temperature (CCT)	4100K, 5000K			4100K, 5000K		
	Wattage	20W	35W	28W	28W	35W	45W
	Delivered Lumens	1700-1850	2975-3220	2340-2575	2340-2575	2975-3220	3500-3800
	Standby Lumens*	355/890	620/1550	490/1230	490/1230	620/1550	730/1825
	Efficacy (LM/W)	89	88	87	87	88	81
	Color Consistency	Proprietary binning for uniform color			Proprietary binning for uniform color		
	Lumen Maintenance (L70)	50,000 hours			50,000 hours		
ELECTRICAL	Power Factor	Over 0.90			Over 0.90		
	Maximum THD	<20%			<20%		
	Input Voltage	Per specification			Per specification		
	Power Consumption	Per specification			Per specification		
PHYSICAL	Dimensions (W x L x H)	26" x 6.25" x 4.0"			50" x 6.25" x 4.0"		
	Weight	5 lbs.			7 lbs.		
	Housing	Glass reinforced polyester			Glass reinforced polyester		
	Lens	Ribbed polycarbonate white			Ribbed polycarbonate white		
	Mounting	Ceiling surface or wall mounted			Ceiling surface or wall mounted		
	Operating Temperature	-30°F to 130°F			-30°F to 130°F		
CERTIFICATION	Certification	UL**, FCC, LM79, LM80			UL**, FCC, LM79, LM80		
	Material Usage	RoHS compliant; no mercury			RoHS compliant; no mercury		
	Environment	Indoor / outdoor – wet, IP66			Indoor / outdoor – wet, IP66		
	LED Class	L70 rated to 50,000 hours			L70 rated to 50,000 hours		
	Warranty	5 year			5 year		

MaxLite® LED VAPOR TIGHT LINEAR FIXTURES



General Safety Information

- To reduce the risk of death, personal injury or property damage from fire, electric shock, falling parts, cuts/abrasions, and other hazards read all warnings and instructions included with and on the fixture box and all fixture labels.
- Before installing, servicing, or performing routine maintenance upon this equipment, follow these general precautions.
- Commercial installation, service and maintenance of luminaires should be performed by a qualified licensed electrician.
- For Residential installation: If you are unsure about the installation or maintenance of the luminaires, consult a qualified licensed electrician and check your local electrical code.
- **DO NOT INSTALL DAMAGED PRODUCT!**
- This fixture is intended to be connected to a properly installed and grounded UL listed junction box.

WARNING:

RISK OF ELECTRICALSHOCK

- Turn off electrical power at fuse or circuit breaker box before wiring fixture to the power supply.
- Turn off the power when you perform any maintenance.
- Verify that supply voltage is correct by comparing it with the luminaire label information.
- Make all electrical and grounded connections in accordance with the National Electrical Code and any applicable local code requirements.
- All wiring connections should be capped with UL approved wire connectors.

CAUTION:

RISK OF INJURY

- Wear gloves and safety glasses at all times when removing luminaire from carton, installing, servicing or performing maintenance.
- Avoid direct eye exposure to the light source while it is on.
- Account for small parts and destroy packing material, as these may be hazardous to children.

CAUTION:

RISK OF FIRE

- Keep combustible and other materials that can burn away from luminaire and lamp/lens.
- **MIN 90°C SUPPLY CONDUCTORS.**

MaxLite® LED VAPOR TIGHT LINEAR FIXTURES



General Wiring Diagram

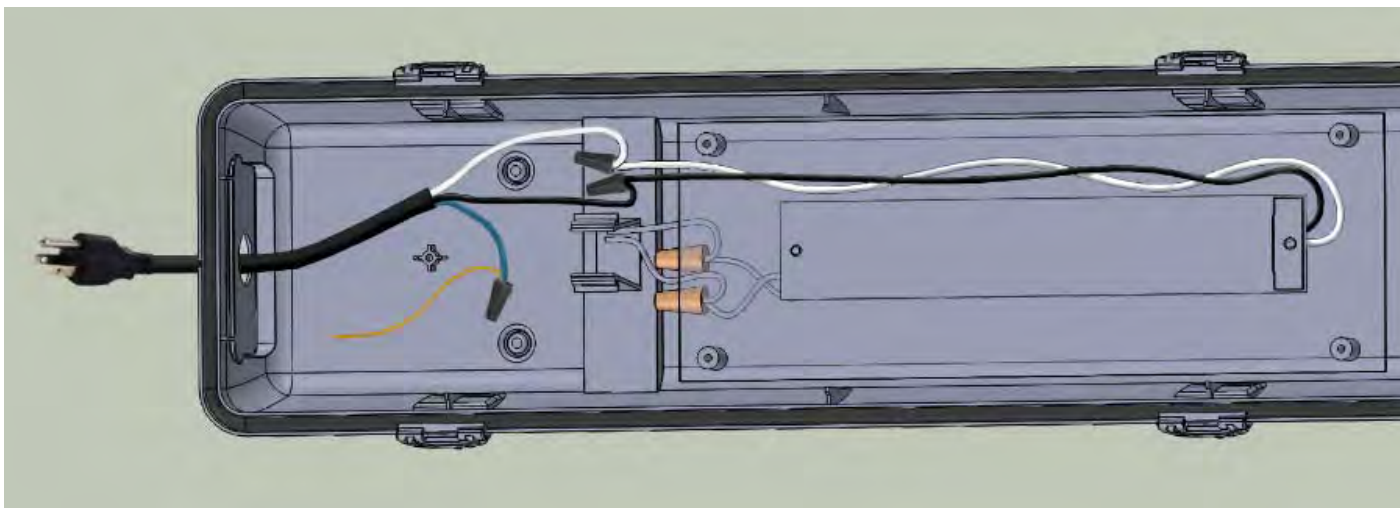
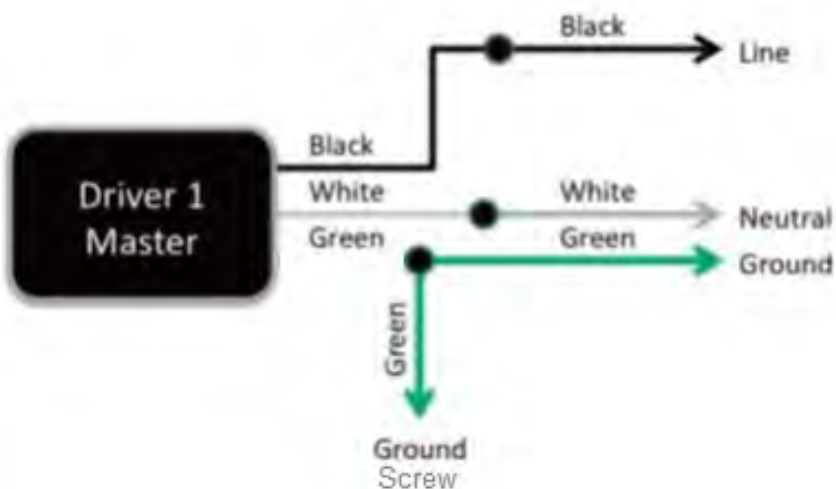
CAUTION:

Turn off electrical power at fuse or circuit breaker box before wiring fixture to the power supply.

Connecting panels to AC source supply:

All units must be individually connected to the AC supply.
(120-277 VAC)

- Black = Line
- White = Neutral
- Green = Ground

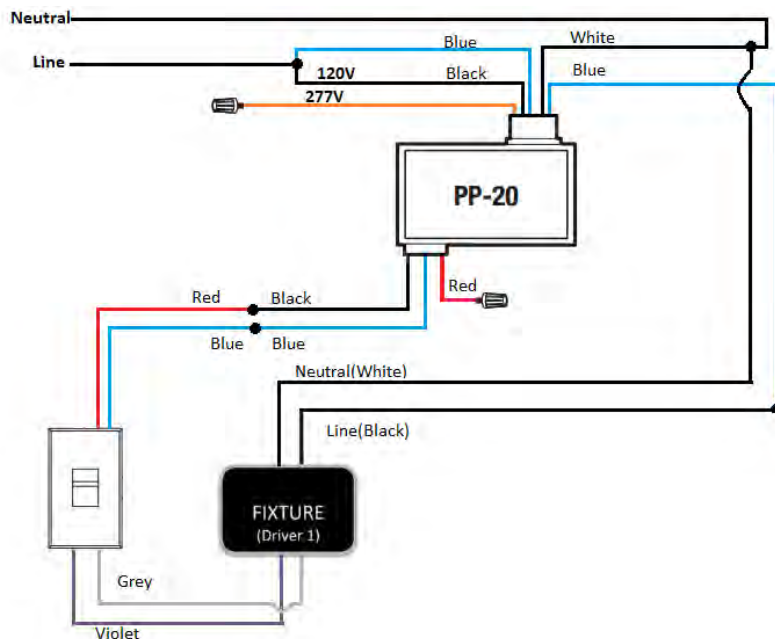


MaxLite® LED VAPOR TIGHT LINEAR FIXTURES



SET UP FOR Optional 0-10V WALL DIMMING

1. Follow Connecting Power procedure on the right.
2. Locate the violet and grey leads.
3. Connect wall dimmer (non-relay wires) violet, grey to driver violet and grey. Dimmer sold separately.
4. Connect red and blue from dimmer to black and blue respectively on relay as shown with wire nuts on power pack PP 20; power pack sold separately;.
5. Restore Power.



MaxLite® LED VAPOR TIGHT LINEAR FIXTURES



Mounting Instructions

Before installation, ensure if power supply is disconnected. Cables must be connected in accordance to instruction and proper standing rules.

1. Locate drill holes for mounting brackets shown in figure 1. Use hardware found in hardware kit.
2. Attach body to mounting clips as shown in figure 2.
3. Detach LED tray from fixture as shown in figure 3.
4. Connect power to driver. Follow General Wiring Diagram on page 4 for reference. Make sure the power supply is disconnected before installing.
5. Reattach LED tray to fixture by reversing step 3.
6. Install lens as shown in figure 4. Use the clips provided in hardware kit to securely attach lens to body fixture.
7. Restore Power.

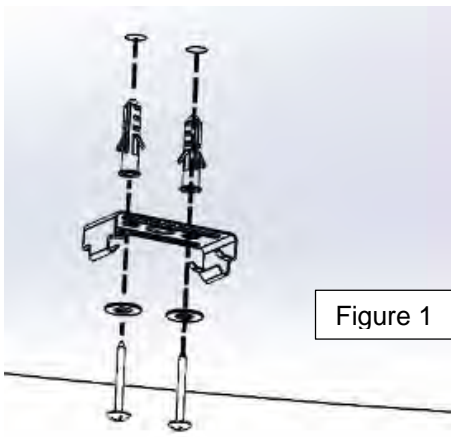


Figure 1

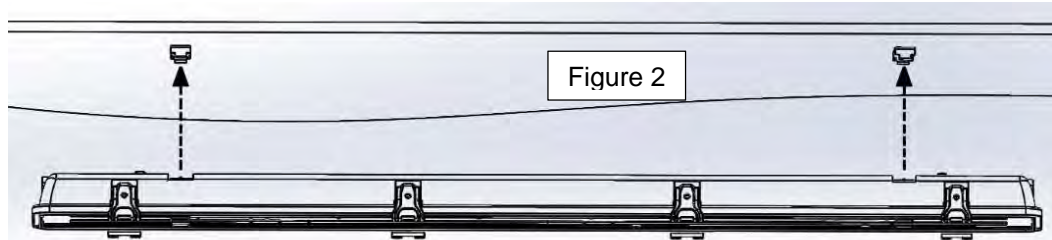


Figure 2

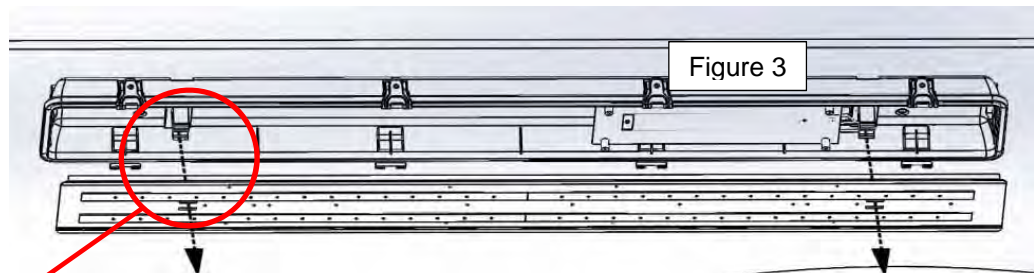


Figure 3

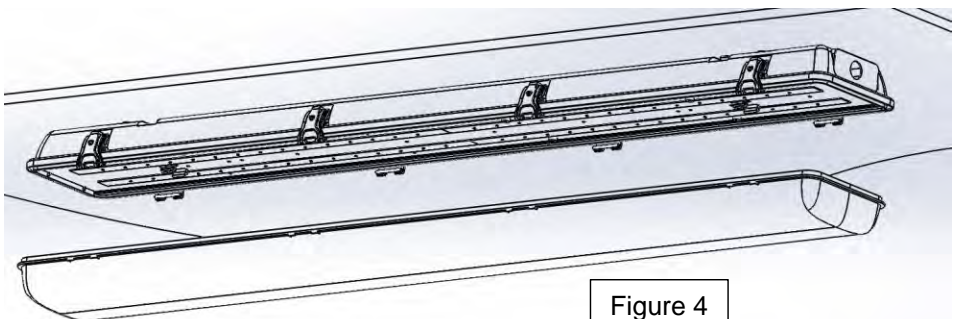
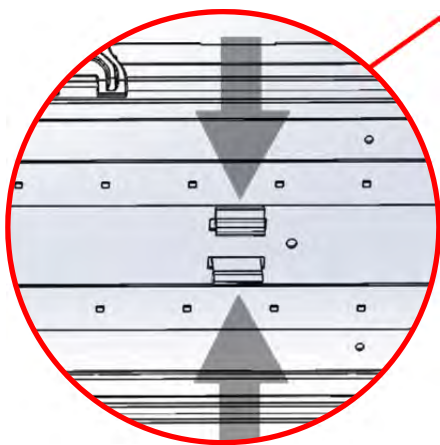


Figure 4

MaxLite® LED VAPOR TIGHT LINEAR FIXTURES



Warranty

MaxLite warrants to its customers who purchase its commercial LED Fixtures that the products are free from defects in material and workmanship for a period of five years from the date of the first purchase from MaxLite. This warranty will be extended to the end-users of the products who purchase from customers who purchase the product from MaxLite for resale. This warranty will be subject to the following provisions.

This warranty is void if the product or the lighting system with which the product is operated is not installed, operated or maintained in accordance with:

- The National Electric Code (NEC)
- The Standards for Safety of Underwriters Laboratories, Inc. (UL)
- The Standards of the American National Standards Institute (ANSI)
- The specific instructions supplied by MaxLite for the installation, operation and maintenance of the product.

This warranty is void if the product is operated outside of its normal operating conditions. The minimum starting temperature is -30°F * and the maximum ambient temperature, 120°F. The product should only be used with compatible building control devices and dimmers when applicable. In order to make a claim under the warranty, customer must notify MaxLite in writing seeking return authorization and provide the defective products (or, if authorized by MaxLite, a sample of such defective products) to MaxLite.

CUSTOMER'S SOLE AND EXCLUSIVE REMEDY WITH RESPECT TO ANY CLAIM OR DAMAGE ARISING OUT OF, OR IN CONNECTION WITH, THE SALE OF ANY PRODUCT, OR ANY BREACH BY MAXLITE OF ITS OBLIGATIONS WITH RESPECT THERETO, SHALL BE LIMITED TO REPLACEMENTS OF THE PRODUCTS OR REFUND OF THE PURCHASE PRICE PAID BY CUSTOMER TO MAXLITE FOR THE PRODUCTS, AT MAXLITE'S SOLE DISCRETION, PROVIDED, HOWEVER, MAXLITE SHALL HAVE NO LIABILITY WHATSOEVER TO CUSTOMER UNLESS (I) CUSTOMER HAS COMPLIED WITH THE REQUIREMENTS HEREUNDER FOR MAKING A CLAIM, (II) THE PRODUCTS ARE FOUND TO BE DEFECTIVE BY MAXLITE AND (III) CUSTOMER HAS PAID FOR THE PRODUCTS IN FULL WHEN DUE. MAXLITE HEREBY EXPRESSLY DISCLAIMS ANY WARRANTY OF MERCHANTABILITY OR FITNESS FOR A PARTICULAR PURPOSE AND MAKES NO OTHER WARRANTIES TO CUSTOMER, EXPRESS OR IMPLIED, EXCEPT AS SPECIFICALLY PROVIDED FOR HEREIN. UNDER NO CIRCUMSTANCES SHALL MAXLITE BE LIABLE TO CUSTOMER FOR ANY PUNITIVE OR EXEMPLARY DAMAGES OR ANY CONSEQUENTIAL, INCIDENTAL, INDIRECT, OR SPECIAL DAMAGES (INCLUDING, WITHOUT LIMITATION, DAMAGES FOR LOSS OF USE, PROFITS, REVENUE OR BUSINESS) ARISING FROM, OR IN ANY WAY RELATED TO, THE SALE, USE OF, OR INABILITY TO USE THE PRODUCTS, NOTWITHSTANDING ANY FAILURE OF ESSENTIAL PURPOSE OF ANY LIMITED REMEDY HEREIN. THIS EXCLUSION SHALL APPLY REGARDLESS OF WHETHER SUCH DAMAGES ARE SOUGHT BASED ON BREACH OF CONTRACT, BREACH OF WARRANTY, NEGLIGENCE, STRICT LIABILITY IN TORT, OR ANY OTHER LEGAL OR EQUITABLE THEORY.

This warranty is subject to the terms and conditions of sale applicable to the initial purchase of the product from MaxLite, which shall take precedent.

For questions about this warranty, please contact your local MaxLite Representative or MaxLite at 1-800-555-5629 or info@maxlite.com or visit www.maxlite.com