

## LED Corn Bulb Lamp Series



5 Years Warranty

### Specifications

Model	PLT-7102
Rate Power	100W
Input Voltage	AC100-277V 50-60Hz
CCT	4000K
Power Factor	≥0.9
CRI	>80
Lumen	12230lm
Chips	Samsung
LED Quantity	280LEDs 0.3W
LED LM80	Yes



Samsung LM561B



Rubycon

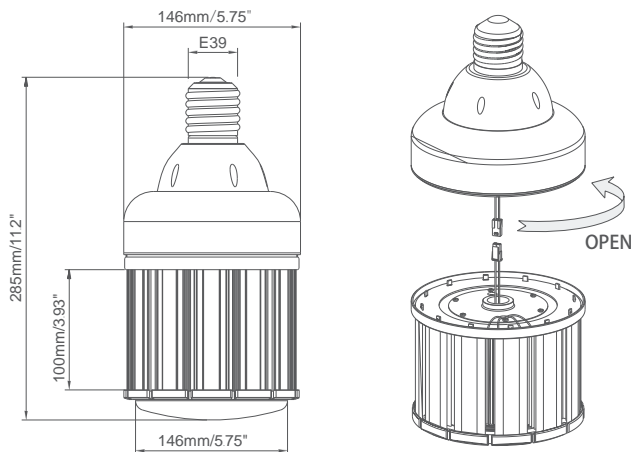


E39

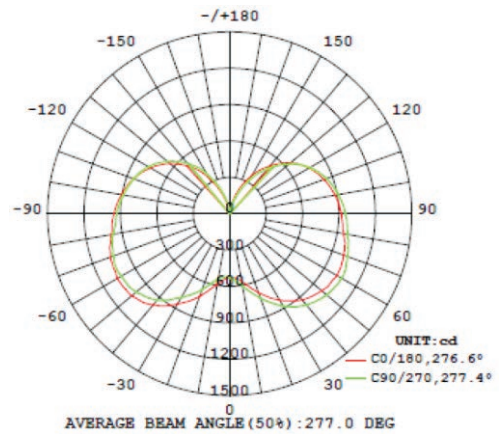


JAE Connector

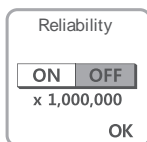
### Dimension



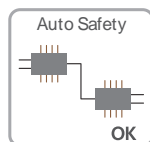
### Luminous emittance



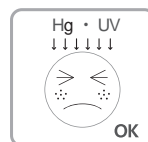
Long Lifespan of 10years



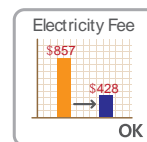
Reliability Test



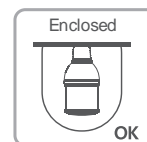
Safety Protection Circuit



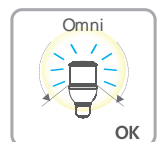
No Mercury No UVLight



Big Saving(87%) on Electricity Costs

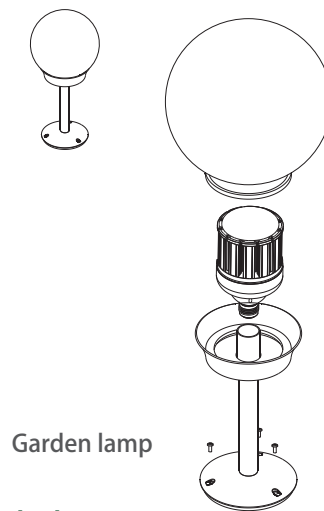


Usable in Enclosed Luminaires



Omni Wide Angle

## Installation



### Absolute Maximum Rating

Parameter	Rating	Units
Aluminum Heat Sink Temperature	65	° C
Operating Temperature	-20~+50	° C
Storage Temperature	-40~+80	° C
Equilibrium Temperature	25	° C

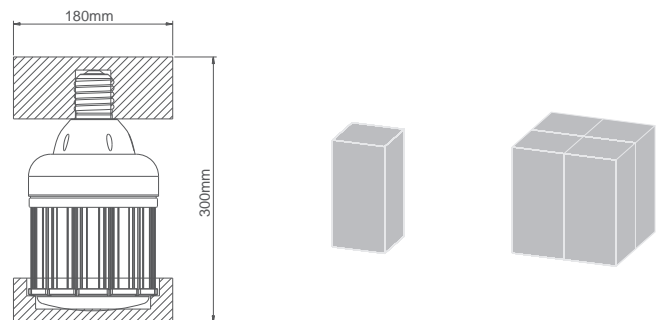
### Label

LED Corn Bulb lamp  
Model:PLT-7102  
AC100-277V 50-60Hz  
Power: 100W  
CCT:4000K

LED Corn Bulb lamp  
Model:PLT-7102  
AC100-277V 50-60Hz  
Power: 100W  
CCT:4000K

## Product Packing Specification

Packing Details	
Pack Quantity	4pcs
Net Weight	4lbs/1828g
Gross Weight Per CTN	19.8lbs/9kg
Box Size	185*185*317mm
CTN Size	385*385*337mm



### ⚠ CAUTIONS

- Make sure remove the traditional ballast before replace the LED corn light.
- Don't take apart the product or replace mechanical and electronic components.
- Don't stare at the strong light for a long time as it may cause injury to eyes.