

# SORAA<sup>®</sup> VIVID LED PAR 30 SHORT 3000K 18.5W



<b>OUTPUT</b>	1100-24100 CBCP, 1000 Lumens
<b>BEAM</b>	9°, 25°, 36°, 60°
<b>COLOR</b>	CCT: 3000K CRI>95, R9 95
<b>APPLICATION</b>	Halogen replacement for indoor and outdoor applications

## PERFORMANCE

CBCP matches standard incandescent and halogen lamps  
 Single light source, single crisp shadow  
 Narrow spot compatible with Soraa SNAP System accessories

## COLOR AND WHITENESS

Rich full-spectrum color rendering  
 Excellent color stability  
 Superior white rendering based on >70% excitation of Optical Brightening Agents (OBA) with spectral emission between 400nm and 440nm

## OPTIMIZED FORM

Compatible with standard fixtures  
 Proprietary fanless aluminum design for superior thermal dissipations

## HIGHLY COMPATIBLE

Works with trailing edge and leading edge phase cut dimmers (see complete list at [www.soraa.com](http://www.soraa.com))

## SPECIFICATIONS\*

Color	Electrical	Form Factor
CCT: 3000K	Dimmable to 20%	Width: 3.78"
CRI>95, R9>95	Power factor: 0.90	Height: 3.23"
White point: Within 3-step McAdam ellipse	Voltage: 120V +/- 12V	Weight: 269g

Reference Number	Product Code	Beam	Field	CBCP	Watts	Halogen Equiv**	Lumen	Lm/W
SP30S-18-09D-930-03	00837	9°	13°	24100	18.5	100W	1000	54
SP30S-18-25D-930-03	00839	25°	38°	5400	18.5	100W	1000	54
SP30S-18-36D-930-03	00841	36°	53°	2500	18.5	100W	1000	54
SP30S-18-60D-930-03	00843	60°	82°	1100	18.5	100W	1000	54

\*at stable warm operating conditions (25°C ambient)

\*\*Energy Star minimum

120V



3000K

CRI >95



DIM



POWERED BY



Soraa Inc.



# SORAA VIVID LED PAR 30 SHORT 3000K 18.5W

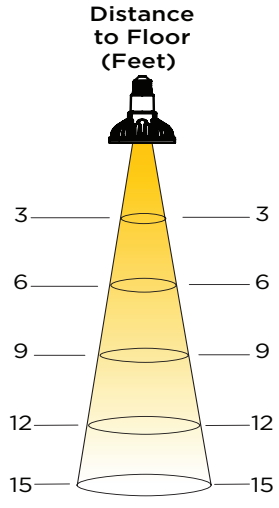
## PHOTOMETRICS

### Narrow Spot 9°

Beam Dia at 50% CBCP (ft)	Field Dia at 10% CBCP (ft)	Foot-candles
0.42	0.68	2678
0.84	1.37	669
1.26	2.05	298
1.68	2.73	167
2.10	3.42	107

### Narrow Flood 25°

Beam Dia at 50% CBCP (ft)	Field Dia at 10% CBCP (ft)	Foot-candles
1.33	2.07	600
2.66	4.13	150
3.99	6.20	67
5.32	8.26	38
6.65	10.33	24



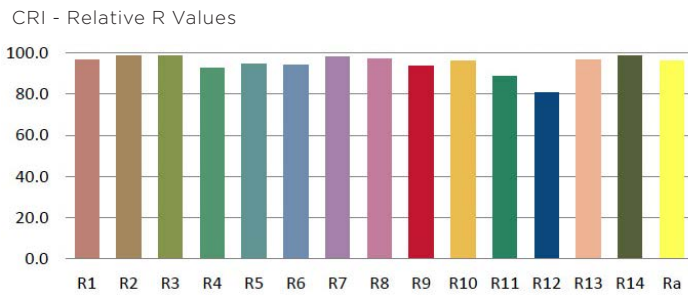
### Flood 36°

Beam Dia at 50% CBCP (ft)	Field Dia at 10% CBCP (ft)	Foot-candles
1.95	2.99	278
3.90	5.98	69
5.85	8.97	31
7.80	11.97	17
9.75	14.96	11

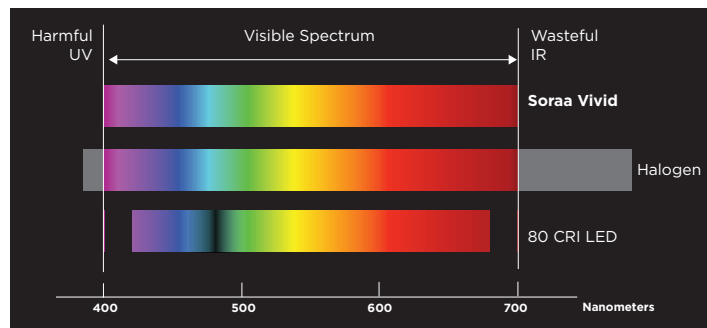
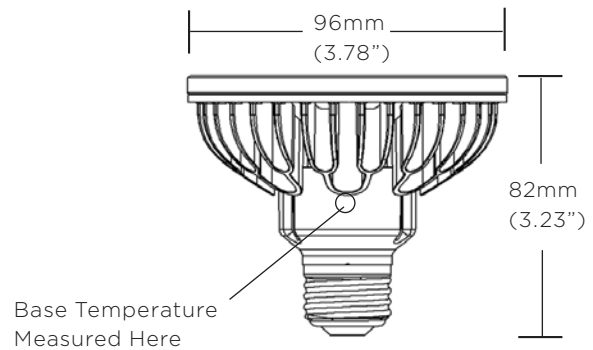
### Wide Flood 60°

Beam Dia at 50% CBCP (ft)	Field Dia at 10% CBCP (ft)	Foot-candles
3.46	5.22	122
6.93	10.43	31
10.39	15.65	14
13.86	20.86	8
17.32	26.08	5

## COLOR RENDERING



## DIMENSIONS



## SAFETY NOTE ON HEAT

Soraa's unique LED technology allows its lamps to operate effectively and efficiently at higher temperatures than other LED lamps, resulting in more light output per diode. Although Soraa's lamps operate at cooler temperatures than halogen lamps, it is recommended that gloves be worn when handling bare lamps that have been energized.

## TRANSFORMER/DIMMER COMPATIBILITY

Dimmable to 20% or lower, depending on dimmer. Complete transformer and dimmer compatibility information available at [www.soraa.com](http://www.soraa.com).